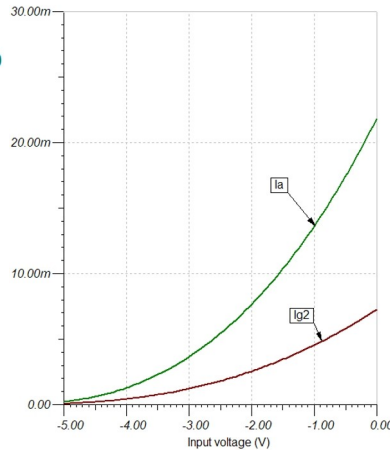
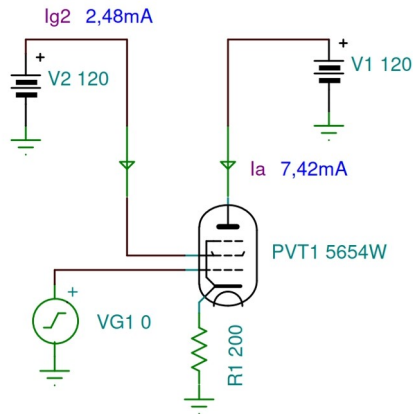
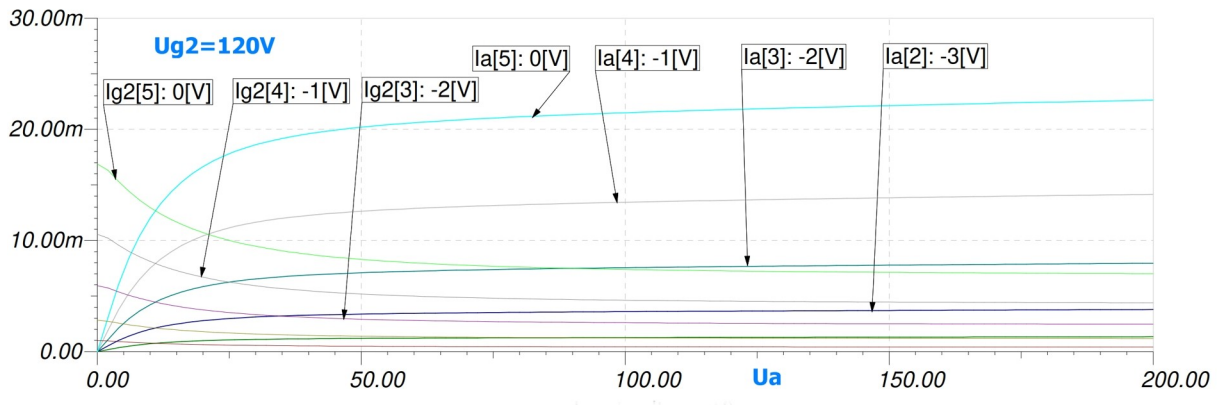


5654W Special Quality RF Pentode Macro Model

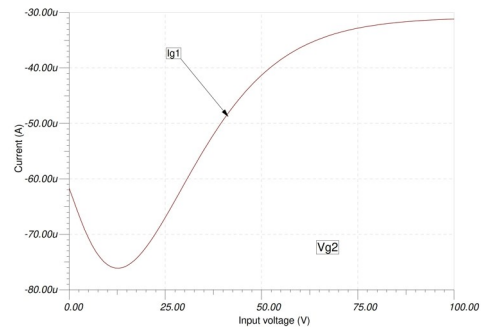
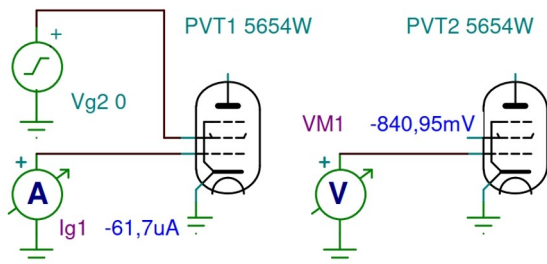
DC Characteristics



Output Characteristics



Gate Diode Splash Current



This model is valid for the following tubes (within max. ratings):
 6J1, EF95, 6AK5, CV4010, 6Ж1П

