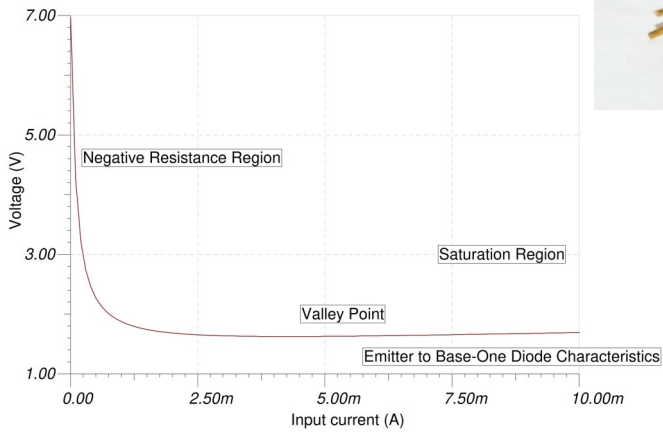
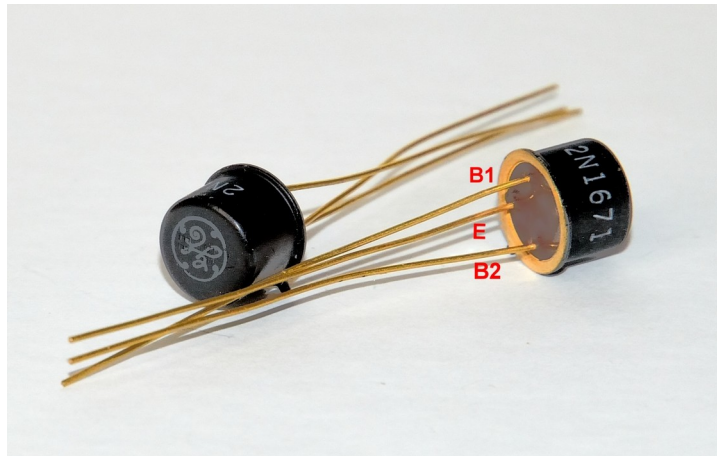
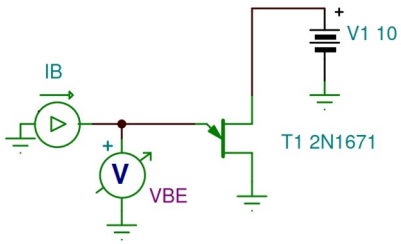
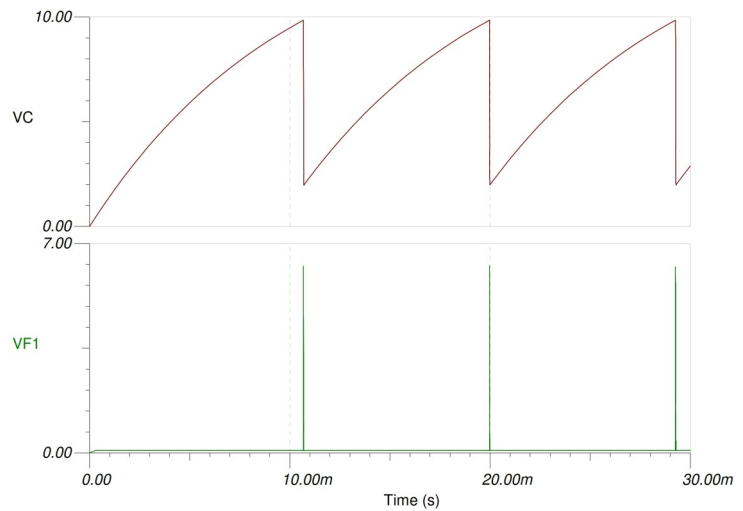
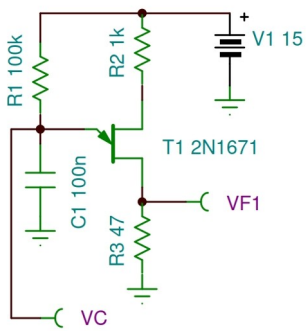


# 2N1671 UJT Macro Model

## Static Emitter Characteristics



## Basic UJT circuit



## Real Transistor

