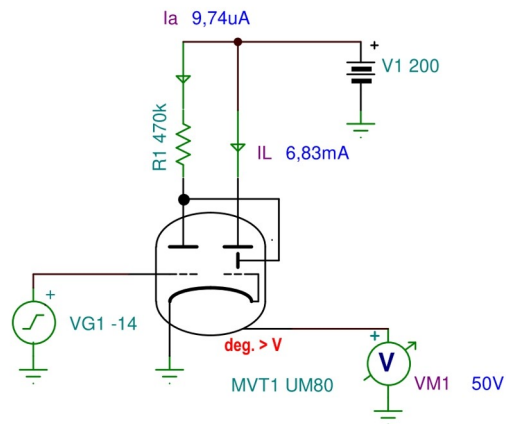
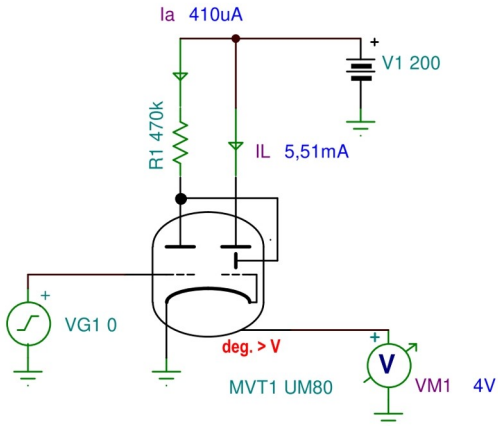
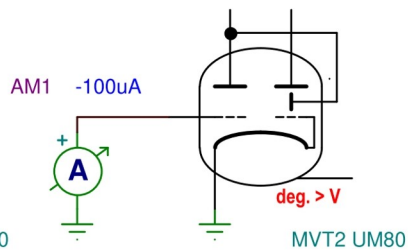
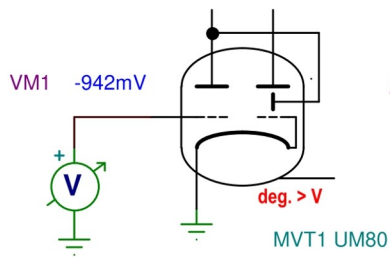


UM80 /19BR5/ Tuning Indicator Tube (Magic Eye) Macro Model

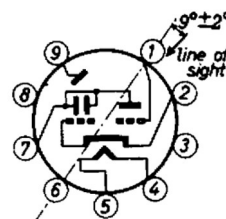
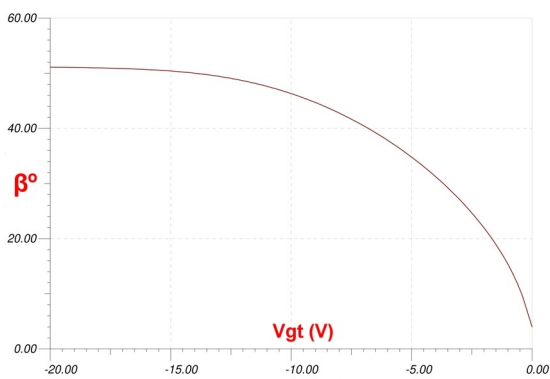
DC Characteristics



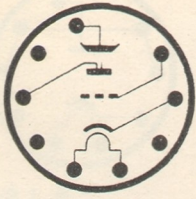
Gate Diode Splash Current



Shadow Angle



UM 80



19 V/0,1 A

Hangolásjelző cső.

$U_b = U_L = 170 \text{ V}$	$I_L = 4,2 \text{ mA}$	$R_a = 0,5 \text{ M}\Omega$	$U_a = 250 \text{ V}$
$U_g = 0 \text{ V}$	$I_a = 0,35 \text{ mA}$	$R_g = 3 \text{ M}\Omega$	$N_a = 0,2 \text{ W}$
$U_g = -12 \text{ V}$			$U_L = 250 \text{ V}$
			$R_g = 3 \text{ M}\Omega$
$U_b = U_a = 200 \text{ V}$	$I_L = 5,5 \text{ mA}$	$R_a = 0,5 \text{ M}\Omega$	$I_k = 8 \text{ mA}$
$U_g = 0 \text{ V}$	$I_a = 0,41 \text{ mA}$	$R_g = 3 \text{ M}\Omega$	$U_{fk} = 150 \text{ V}$
		$= 0 \text{ mm}$	$R_{fk} = 20 \text{ k}\Omega$
$U_g = -14 \text{ V}$			

(Rádióamatőrök zsebkönyve, 1963)