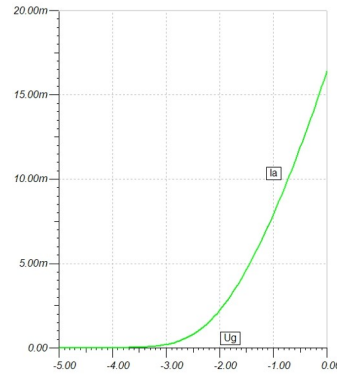
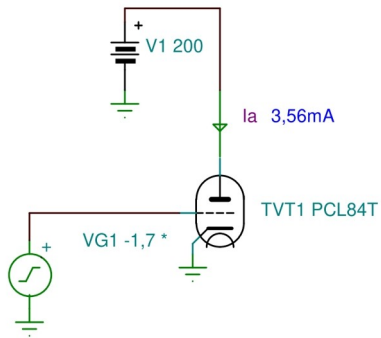
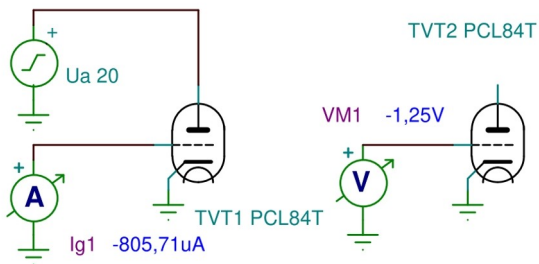


PCL84 /ECL84/ Triode-Pentode Macro Model

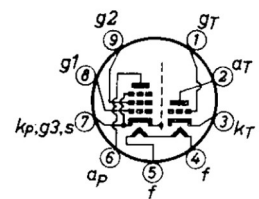
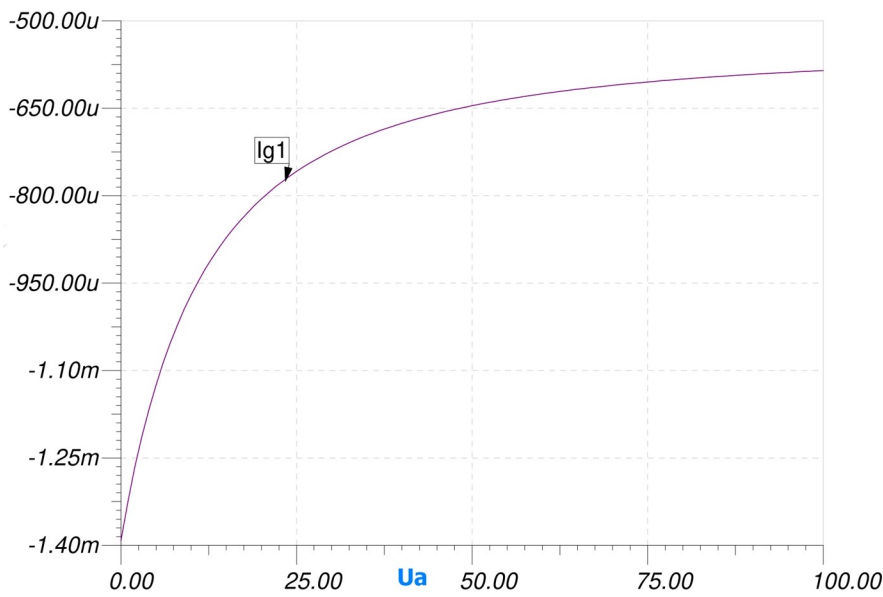
Triode DC Characteristics



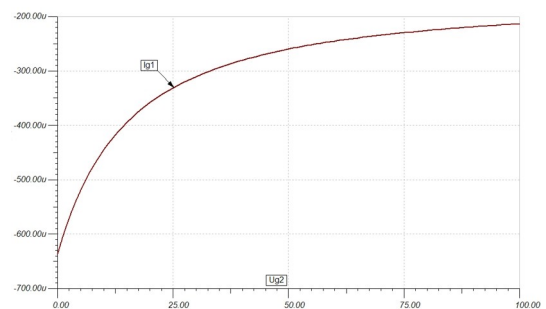
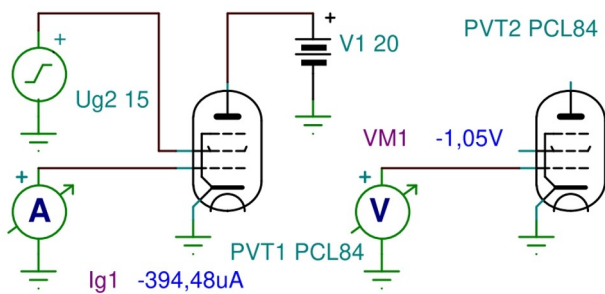
Gate Diode Splash Current



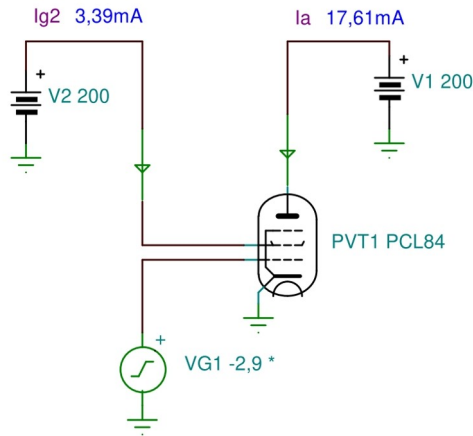
$I_g = f(U_a)$



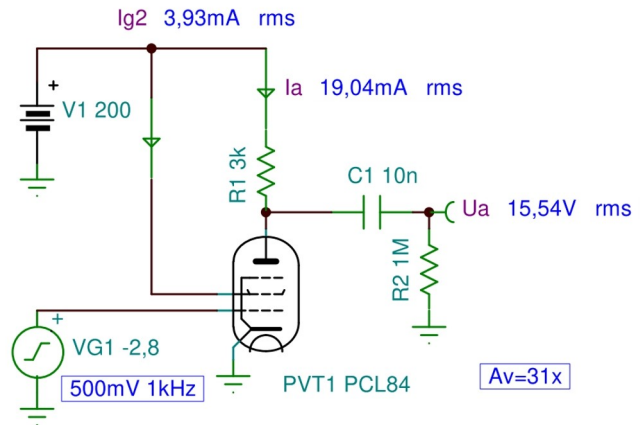
Pentode G1 Diode Splash Current



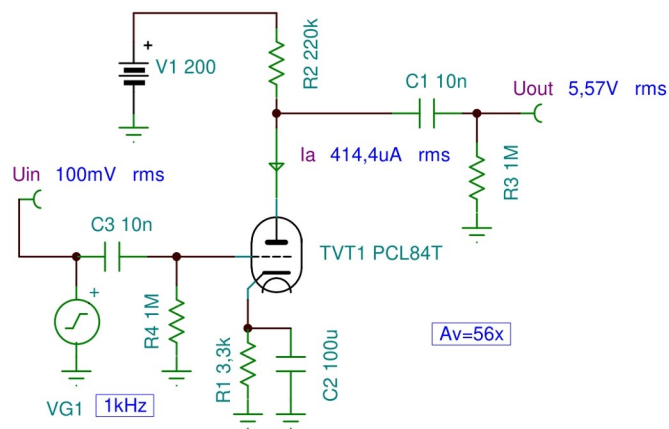
Pentode DC Characteristics



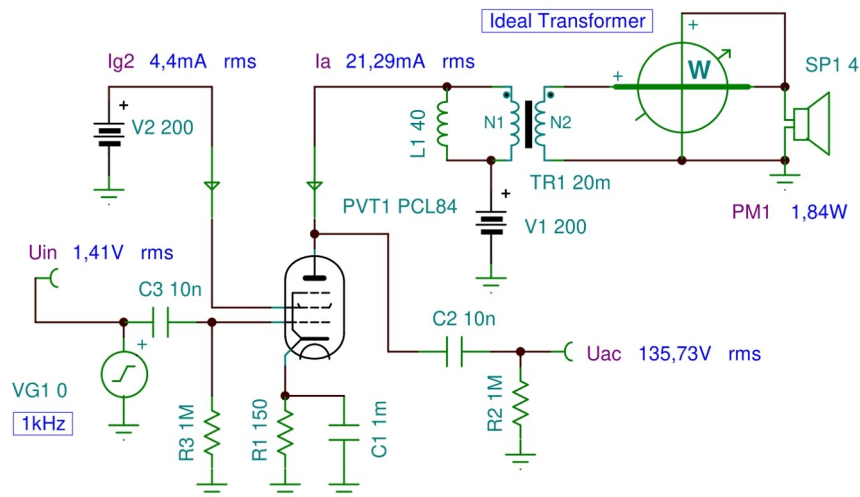
Video Amplifier



Triode AC Amplifier



Pentode Class A Audio Amplifier



This model is valid for the following tubes (within max. ratings):
15DQ8, 15TP7, 15Φ4Π, ECL84, 6DX8, 6Φ4Π, 6DQ8