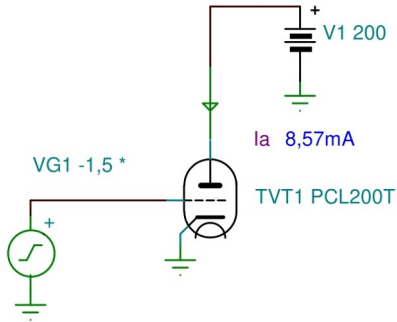
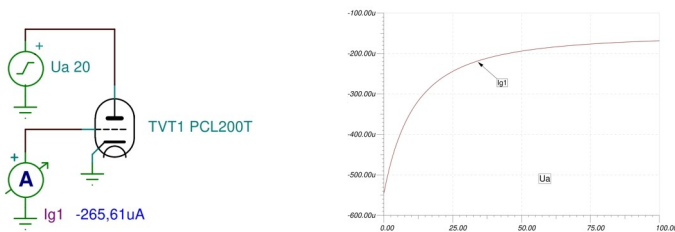


PCL200 /ECL200/ Triode-Pentode Macro Model

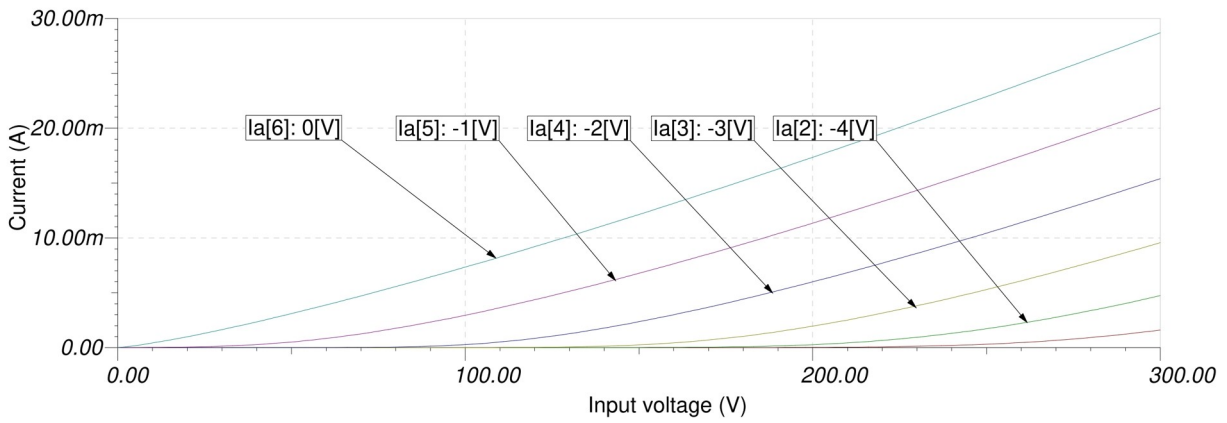
Triode DC Characteristics



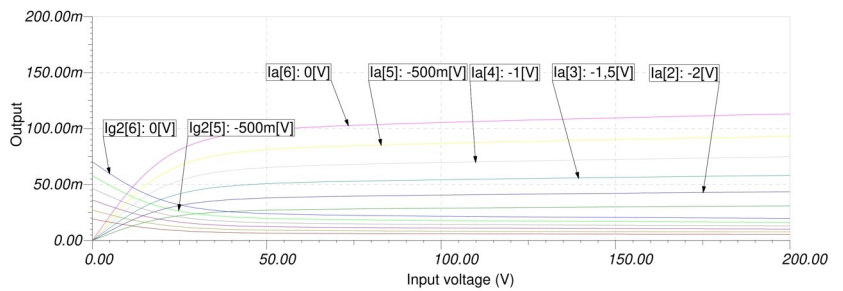
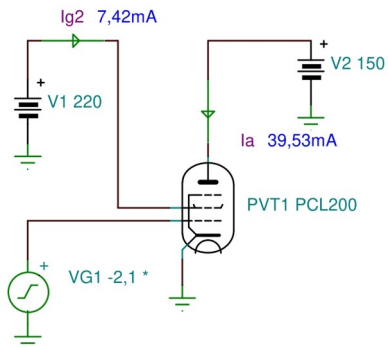
Gate Diode Splash Current



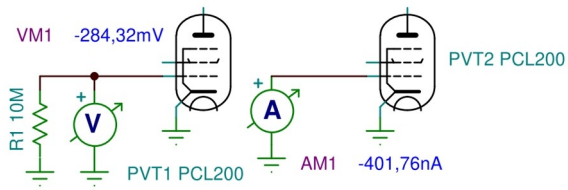
$$I_a = f(U_a) \quad U_g = \text{Parameter}$$



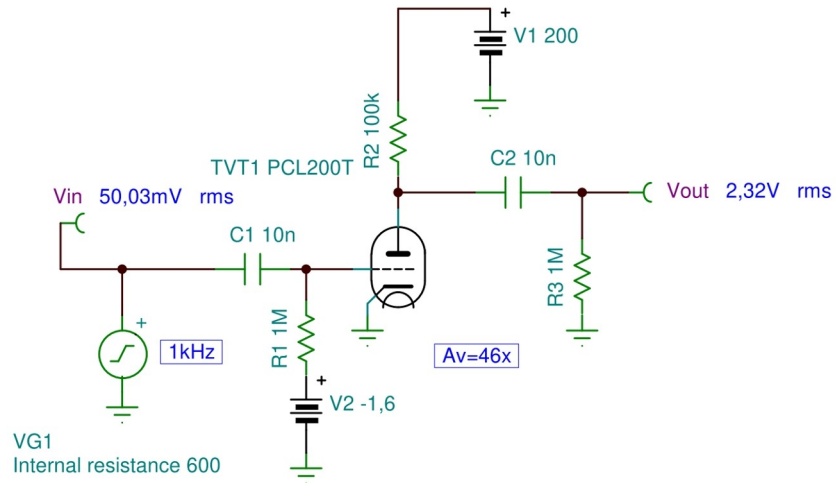
Pentode DC Characteristics



Pentode G1 Diode Splash Current



Triode AC Amplifier



Pentode Class A Audio Amplifier

