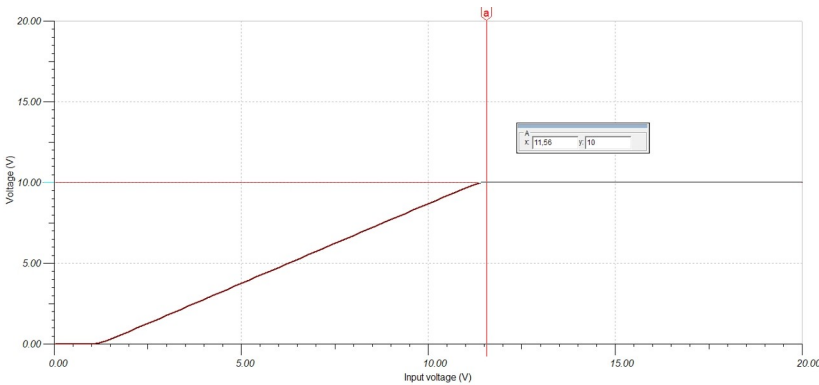
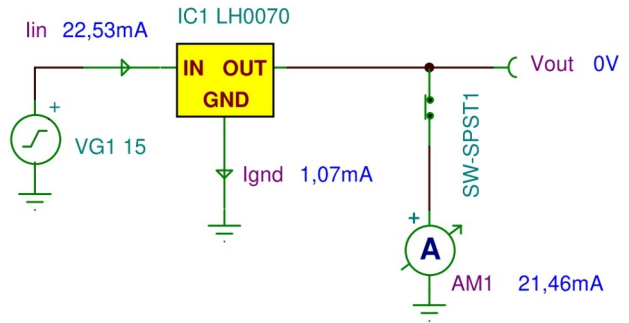
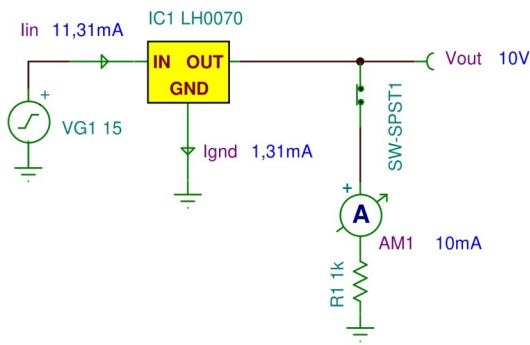
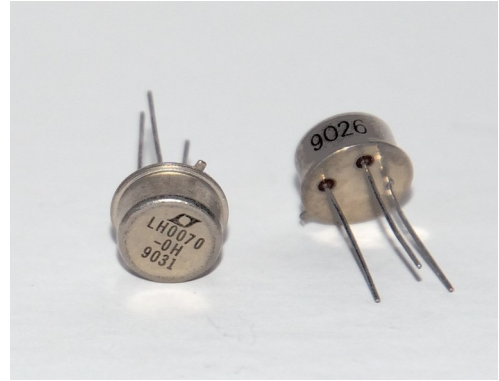
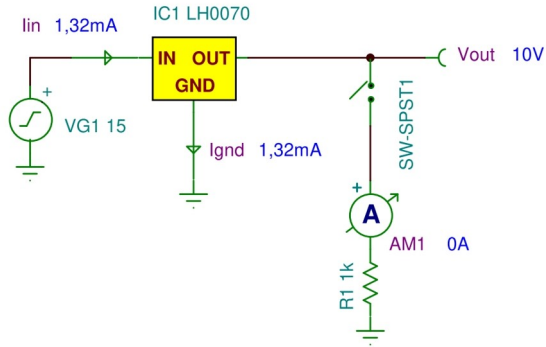


# LH0070 Precision 10V Reference Macro Model

## DC Characteristics



## Start-Up (Series Mode) $V_B = 0$ to 15V

