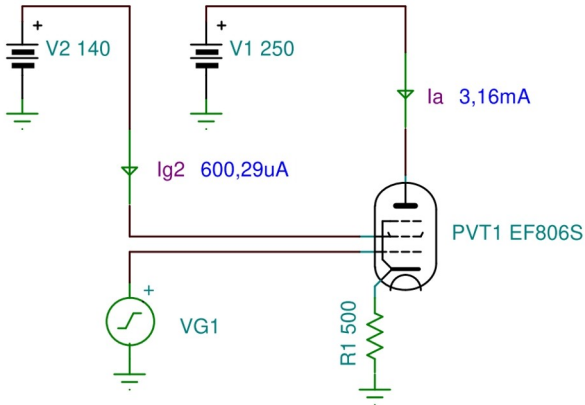
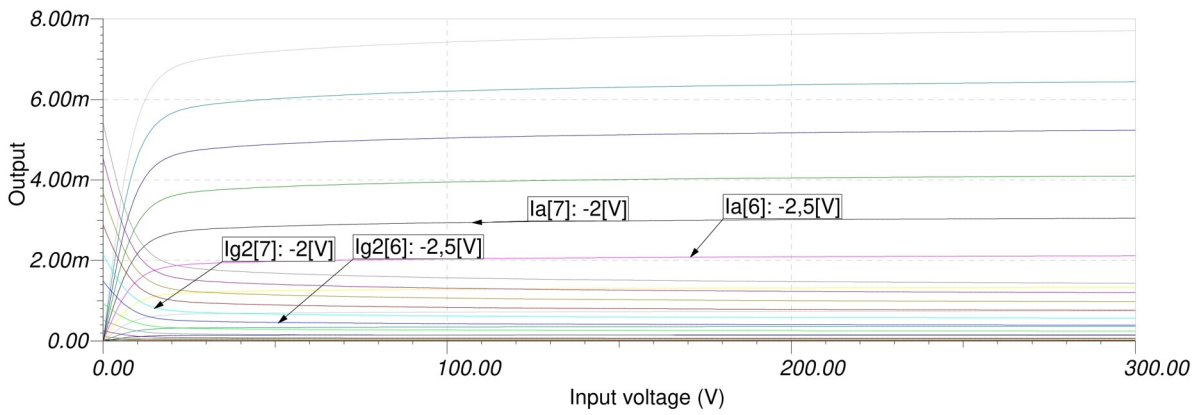
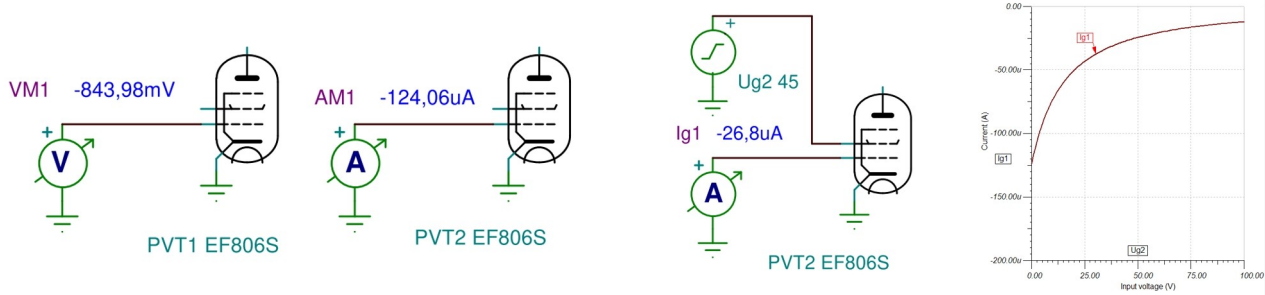


EF806S / EF86, 6BK8, 6Ж32П / Audio Frequency Pentode Macro Model

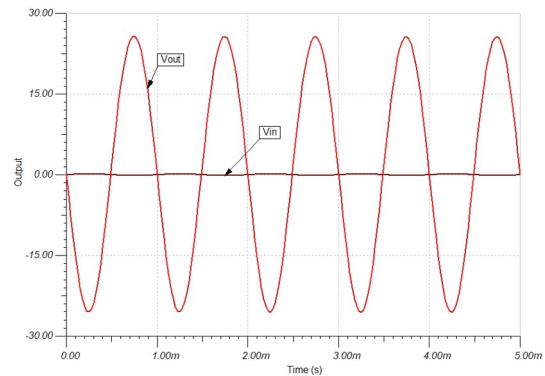
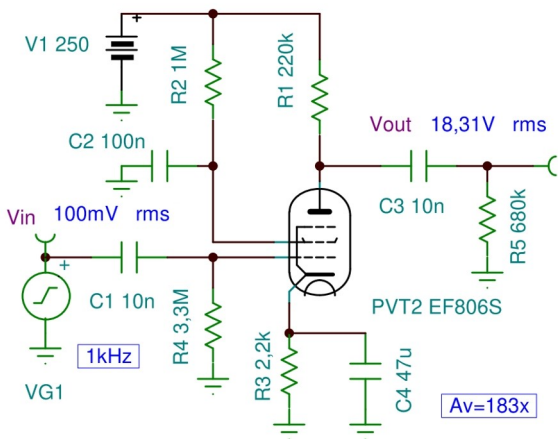
DC Characteristics

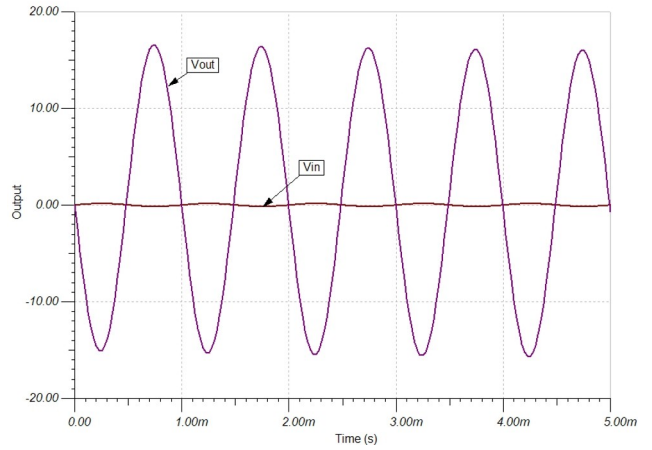
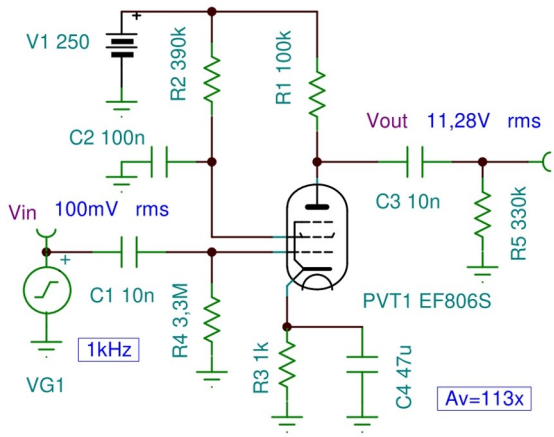


Gate Splash Current and $I_g = f(U_{g2})$

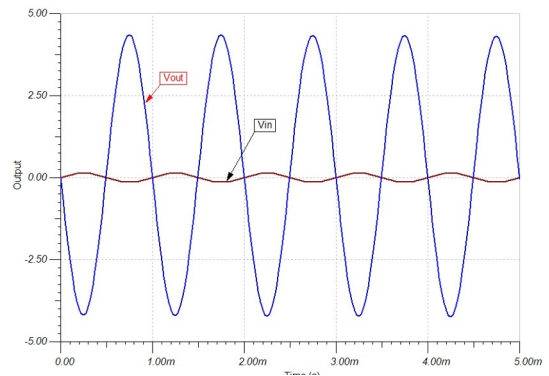
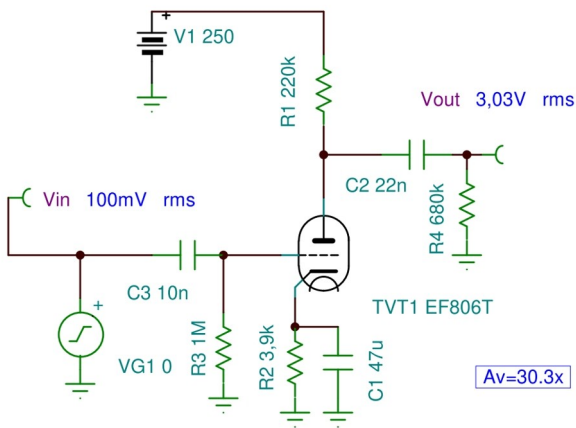
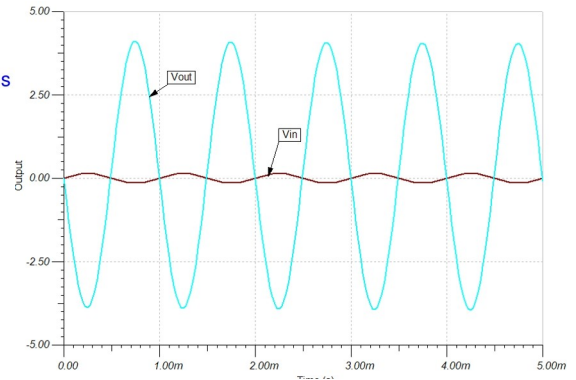
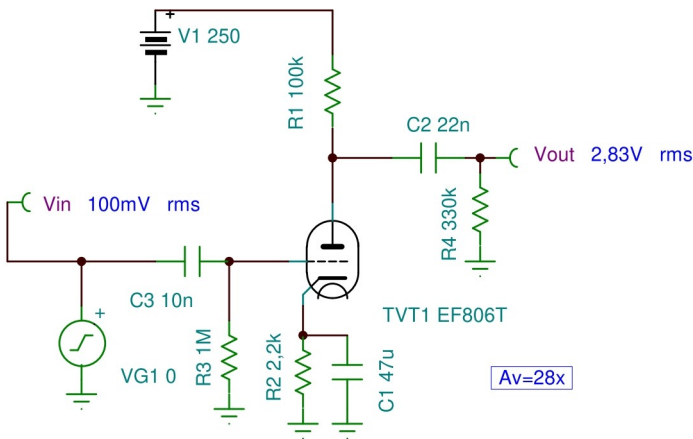


AC Characteristics





Connected as Triode



Base connection

