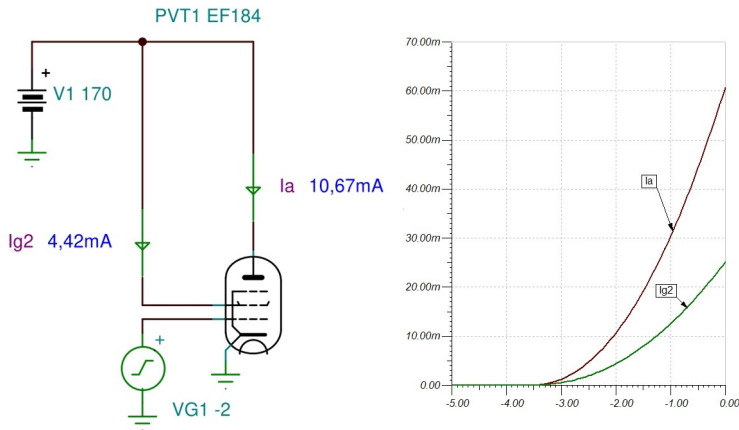
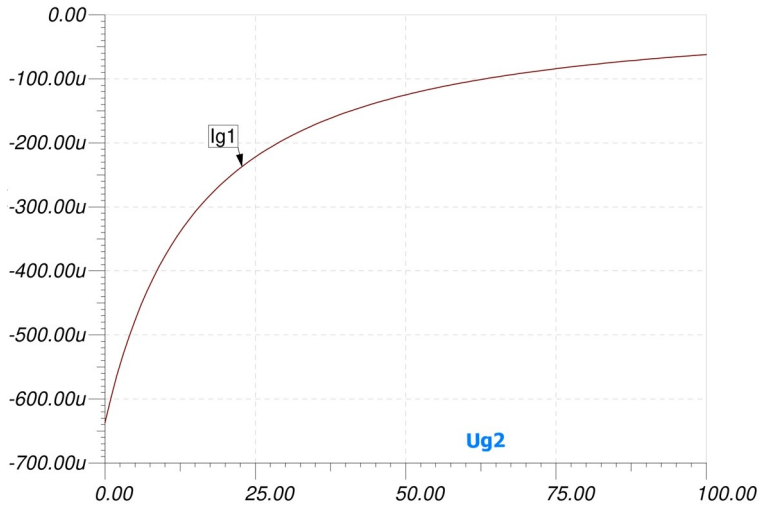
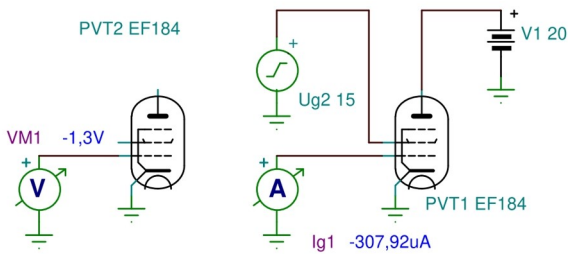


EF184 RF Pentode Macro Model

DC Characteristics

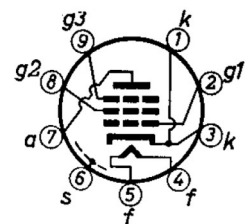
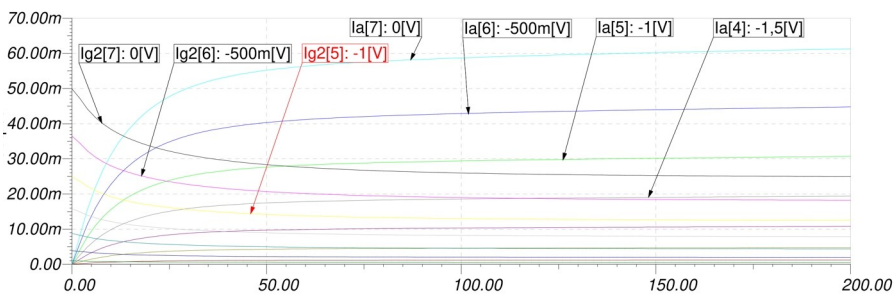


$I_{g1} = f(U_{g2})$

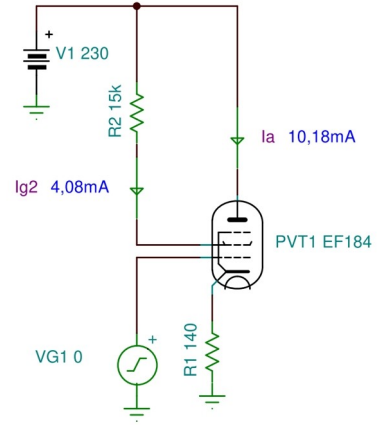
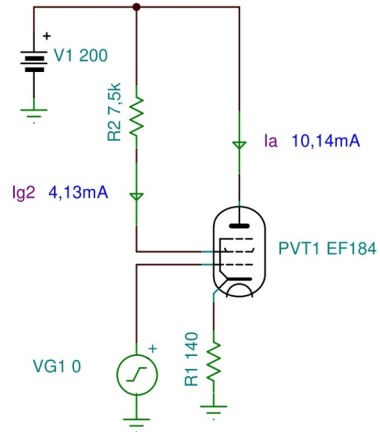
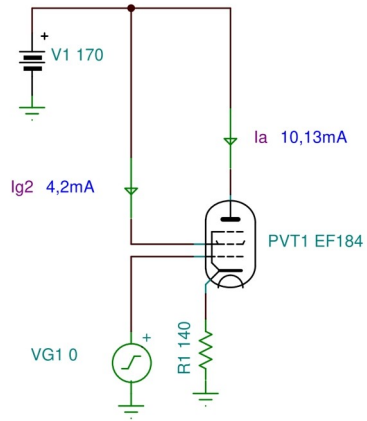


This model is valid for the following tubes (within max. ratings):
6EJ7, 6F26

Output Characteristics



Operating Characteristics



RF Amplifier

