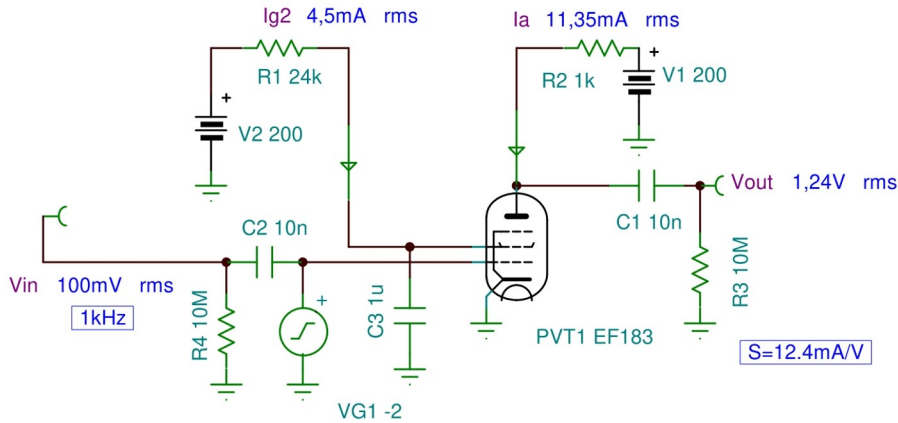
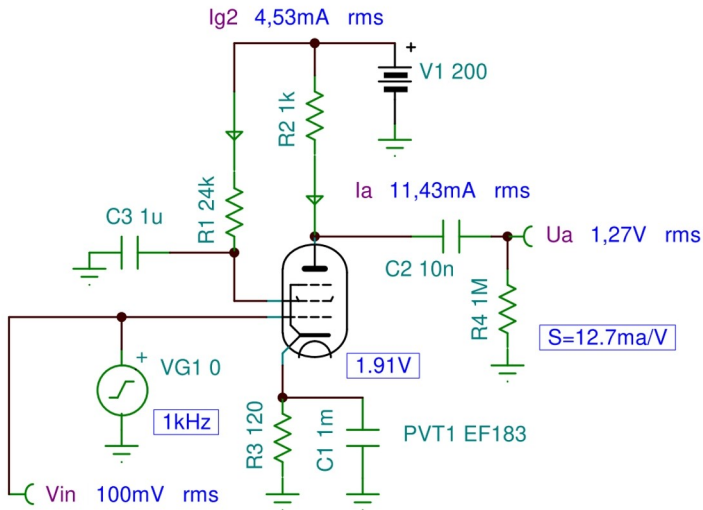


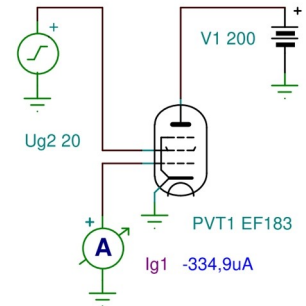
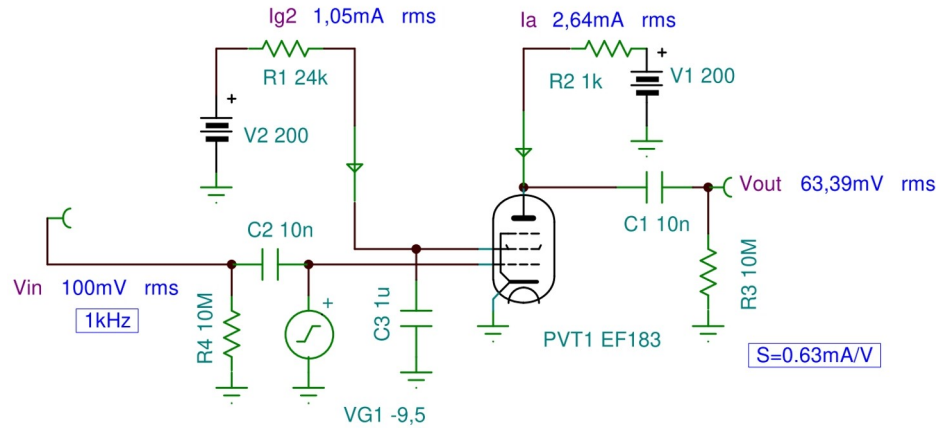
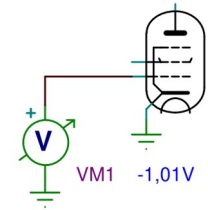
EF183 / 6EH7 Variable-mu RF Pentode Macro Model

Operating Characteristics

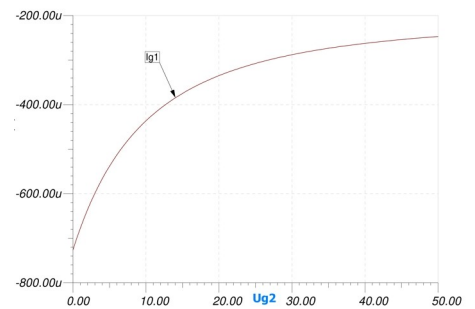
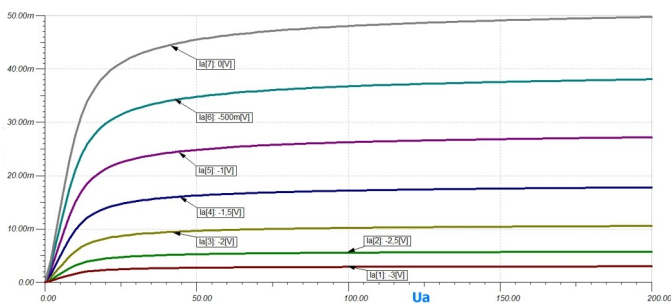


$$I_{g1} = f(U_{g2})$$

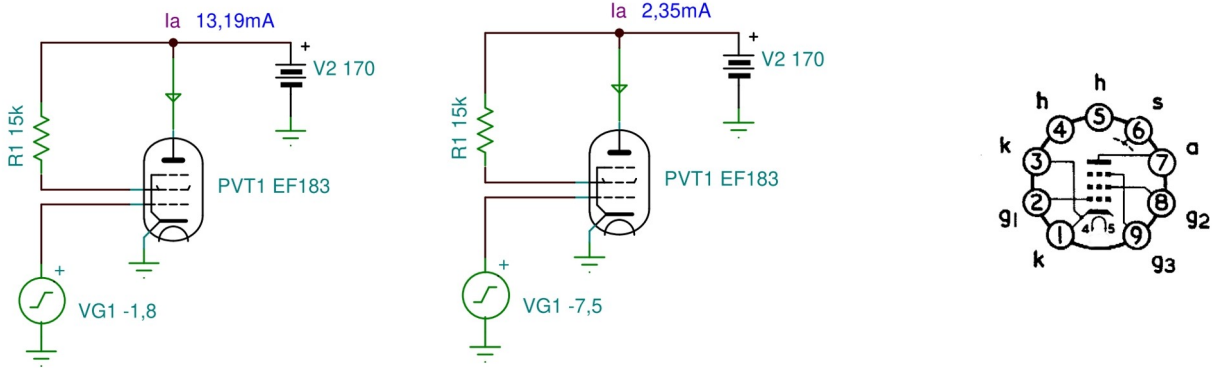
PVT1 EF183



Output Characteristics



Operating Characteristics



This model is valid for the following tubes (within max. ratings):
 6EH7, 6F25, 6K13II

The unbypassed 22 Ω cathode resistor is used to compensate for variations in input capacitance:

