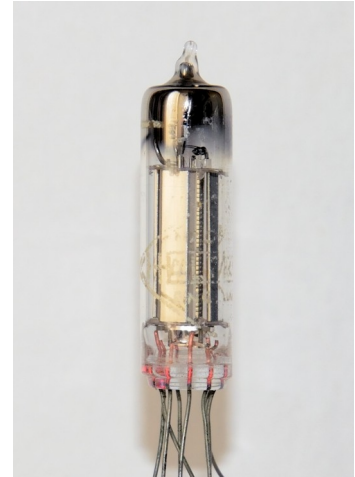
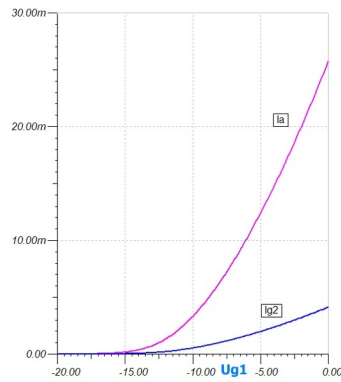
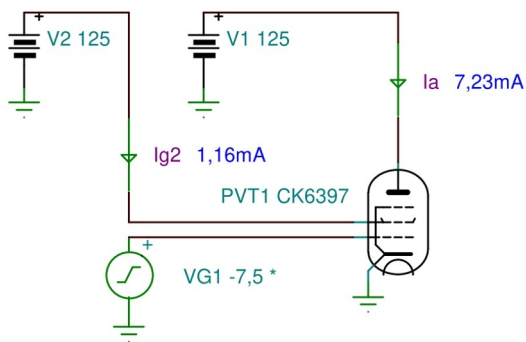
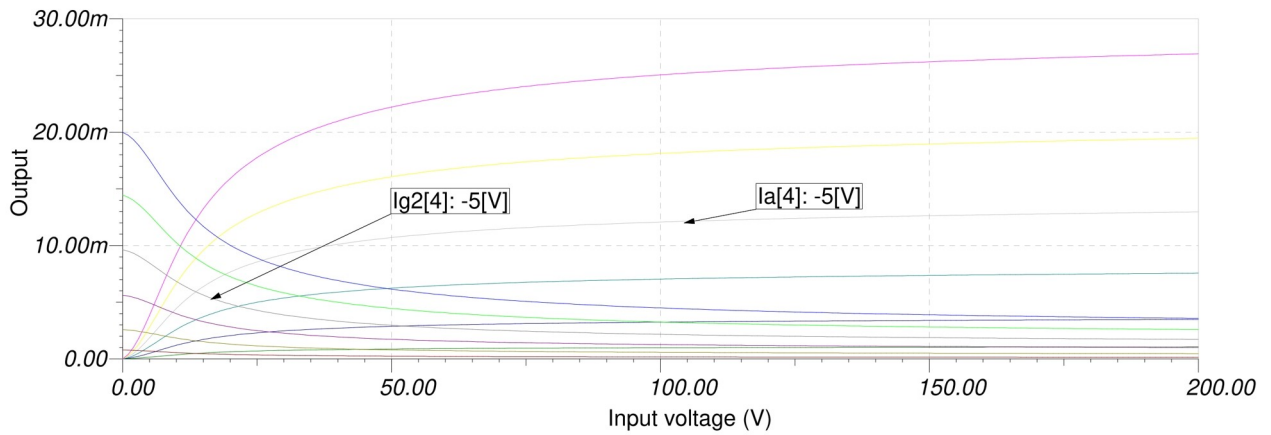


CK6397 Subminiature VHF RF Pentode Macro Model

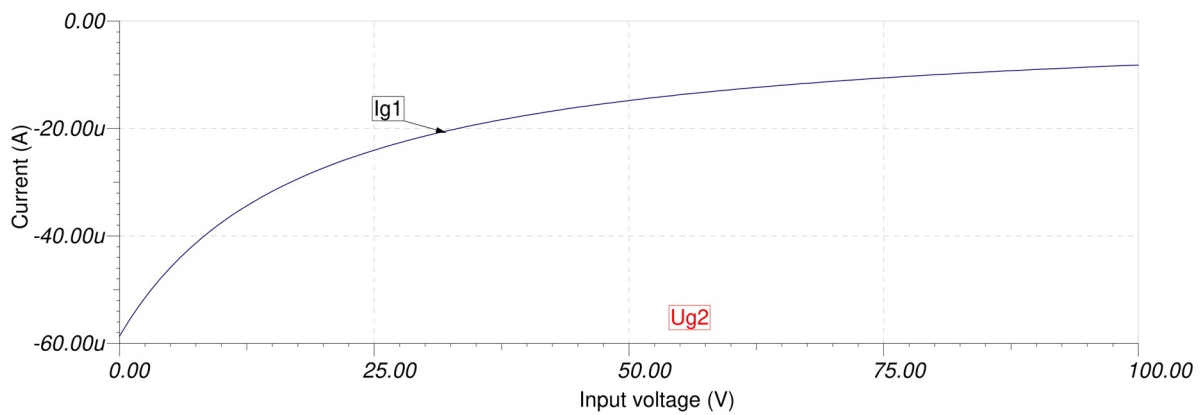
DC Characteristics



Output Characteristics



Gate Splash Current



RF Power Amplifier

