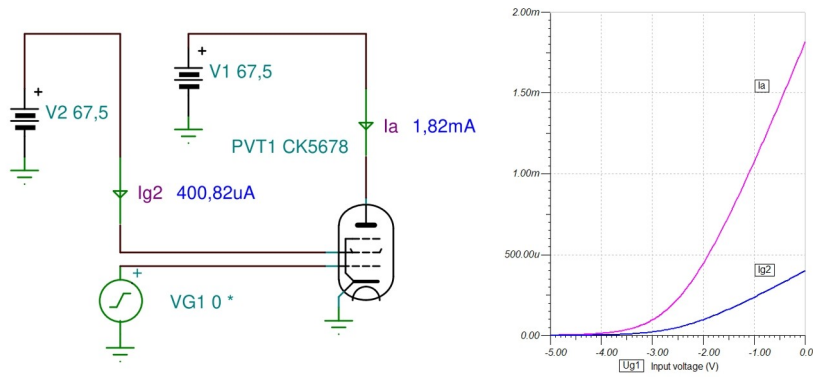
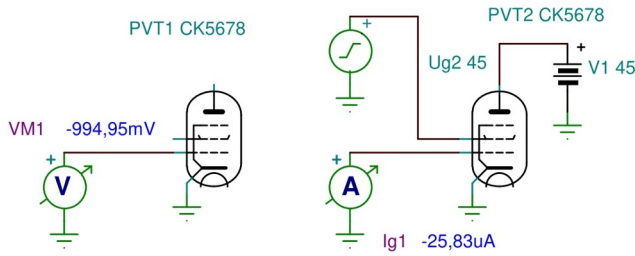


# CK5678 Subminiature Pentode Macro Model

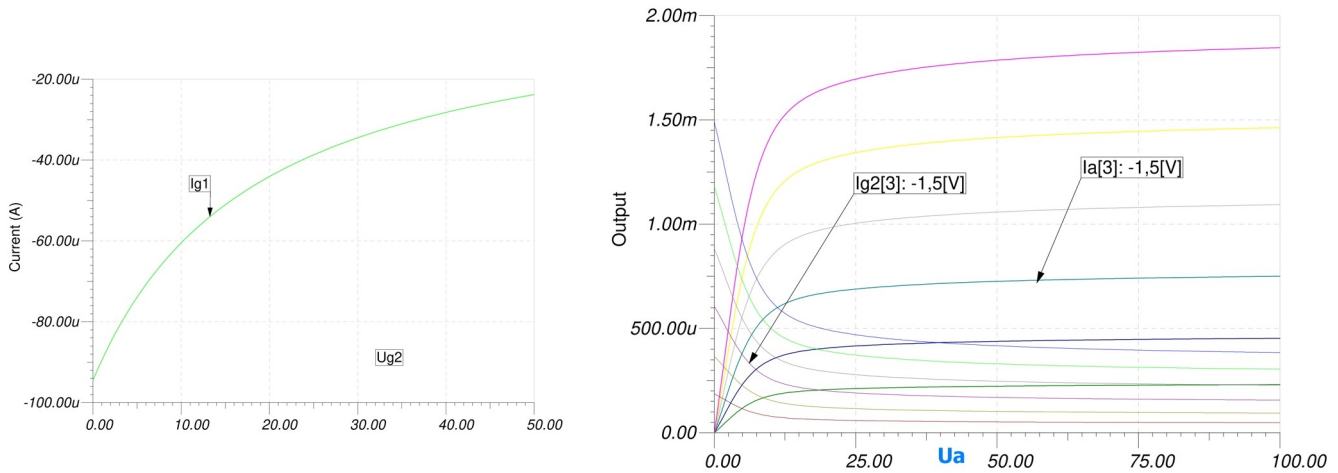
## DC Characteristics



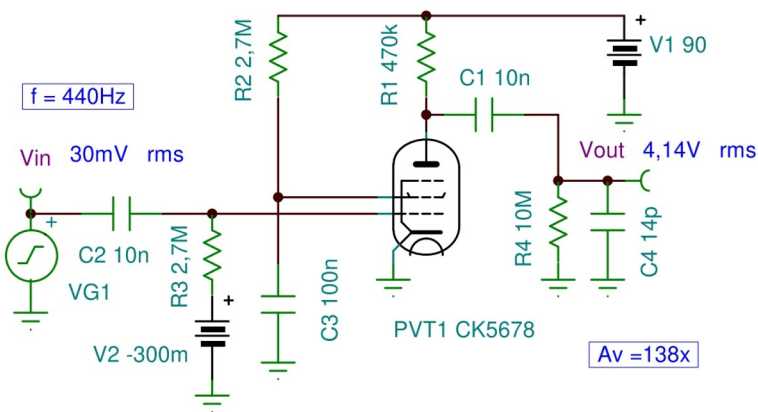
## Gate Splash Current



## Output Characteristics

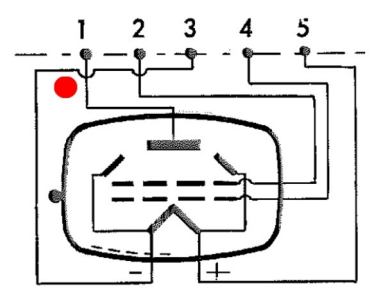
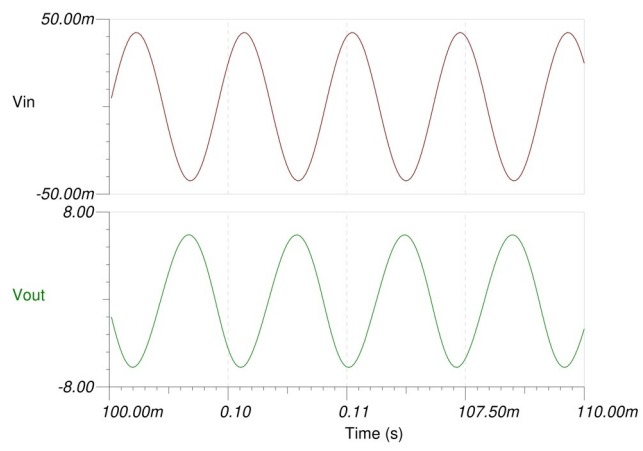
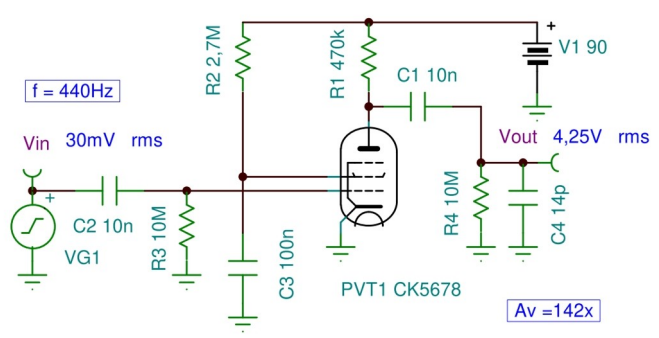
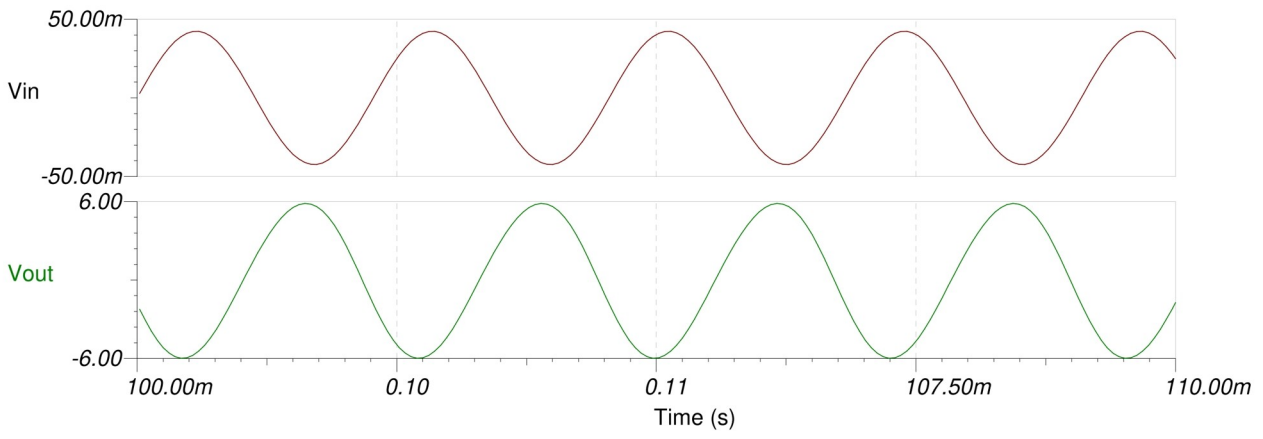


## AF Amplifier



## Model

## Real Tube



**Subminiature pentode for use as RF, MF or AF amplifier, oscillator, self-oscillating mixer, AM-detector etc.**

**Filament Voltage (DC) 1.25V +/- 20%**  
**Filament Current 50mA**