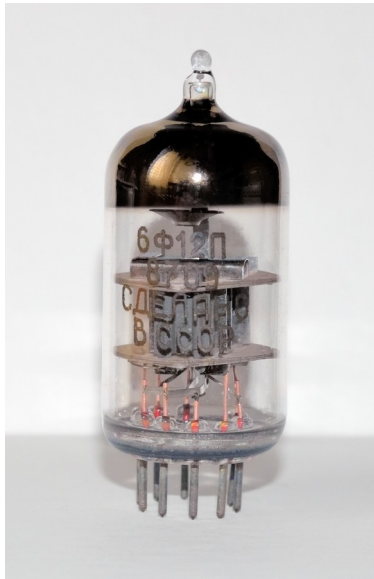
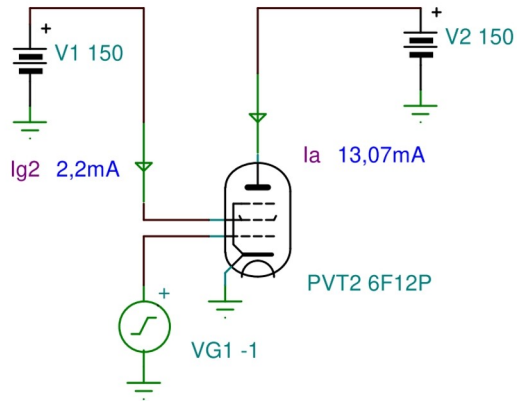
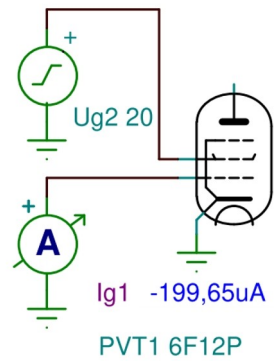
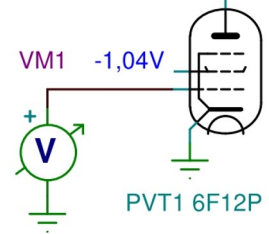


6Φ12Π / 6F12P Triode-Pentode Macro Model

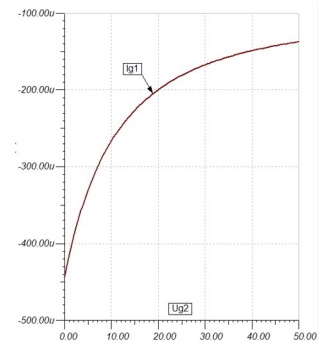
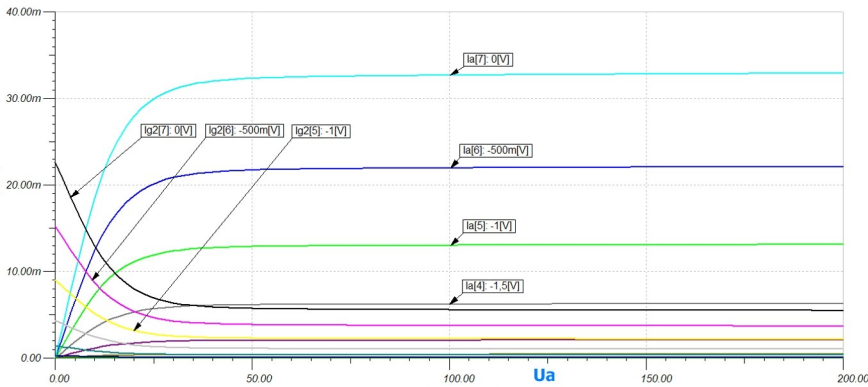
Pentode DC Characteristics



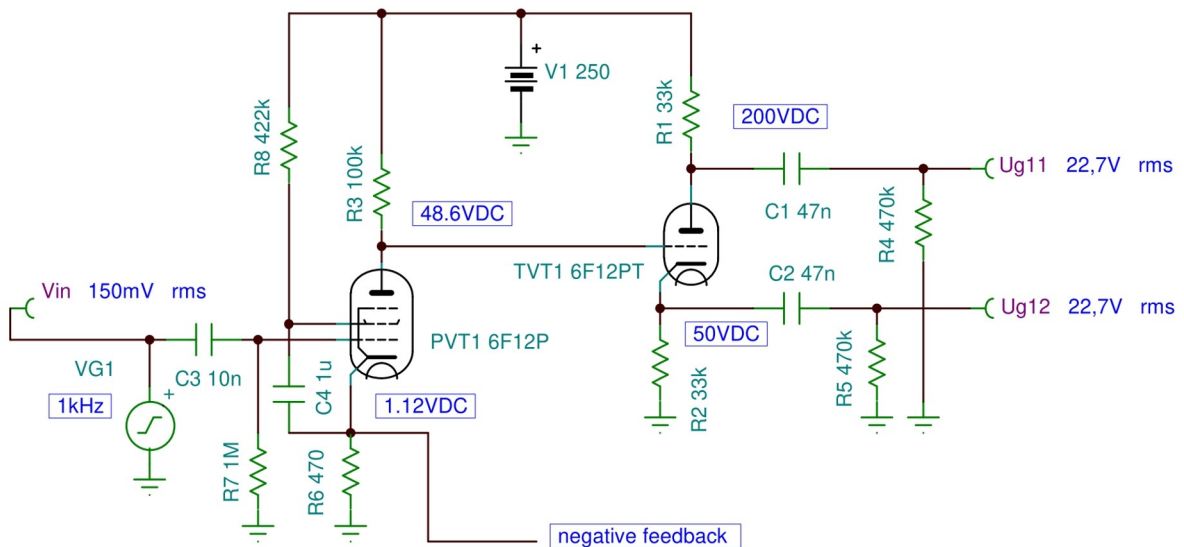
G1 Splash Current

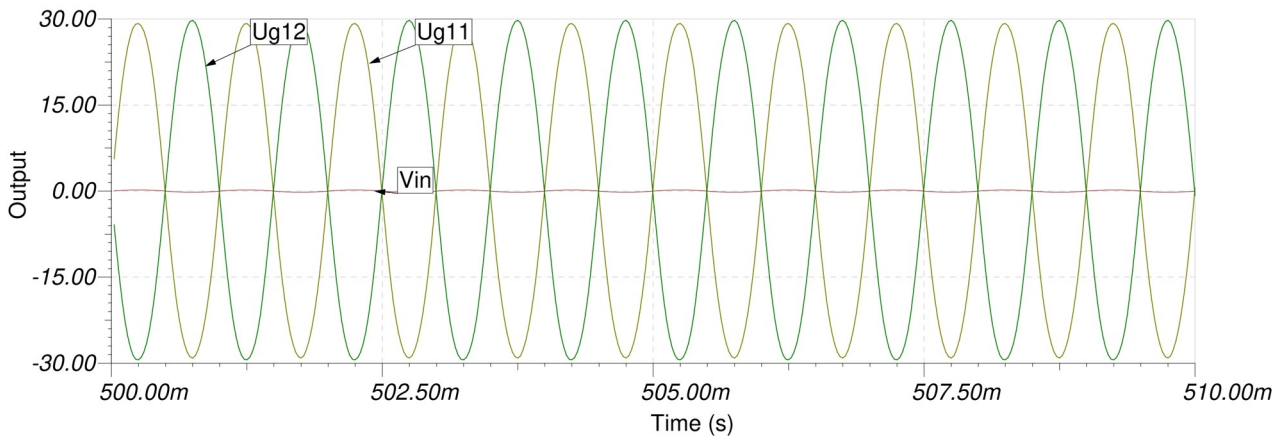


Output Characteristics

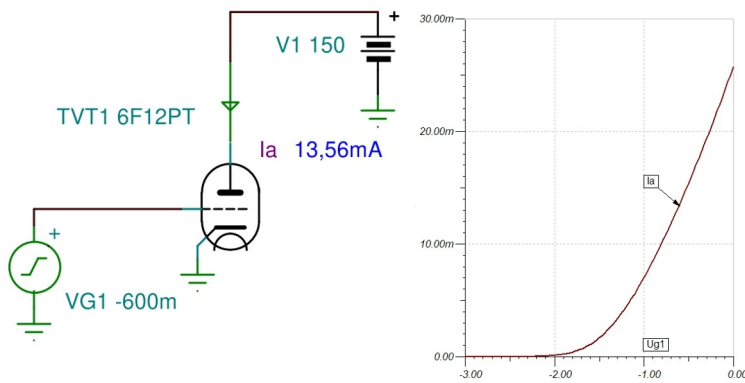


6F12P Phase Splitter Circuit

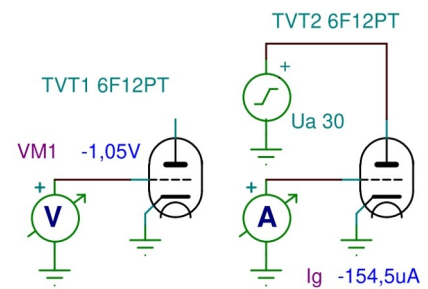




Triode DC Characteristics



Gate Diode Splash Current



Triode AC Amplifier

