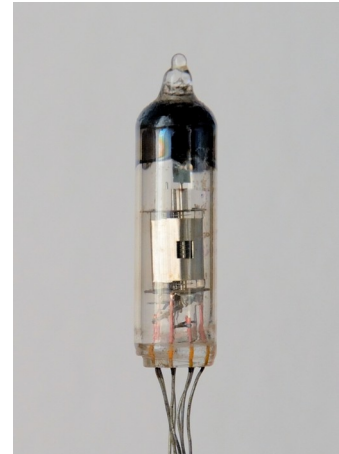
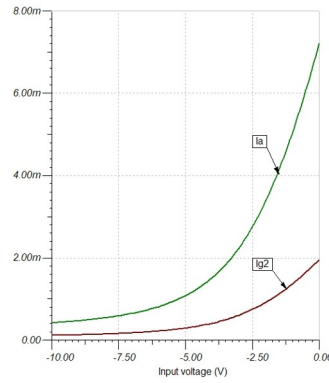
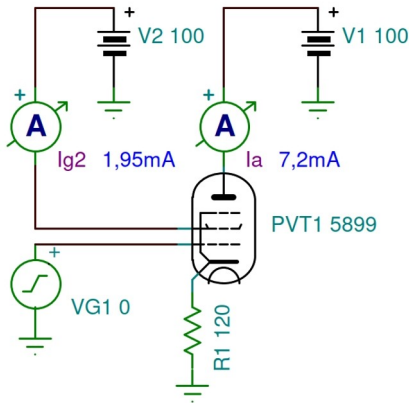
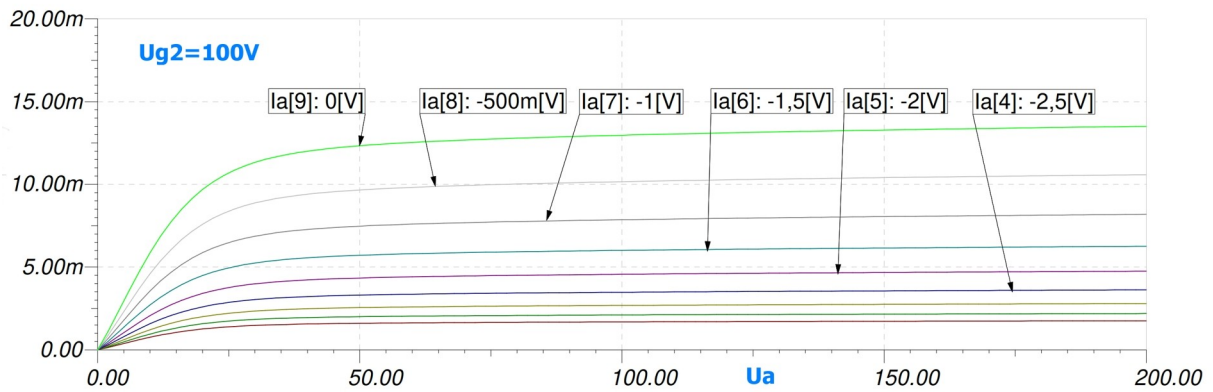


5899 Special Quality Variable-mu RF Pentode Macro Model

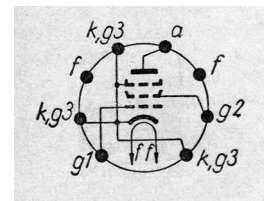
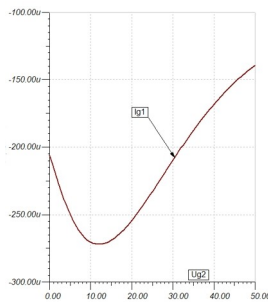
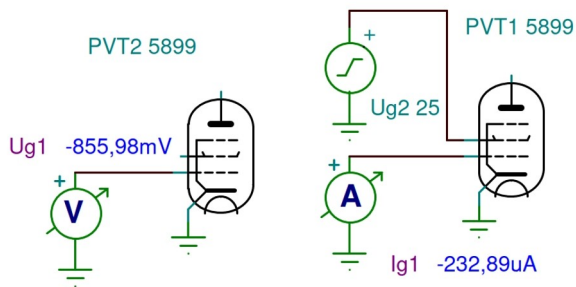
DC Characteristics



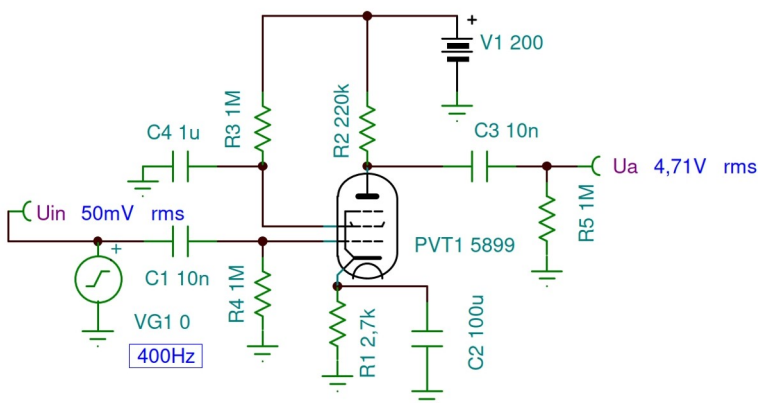
Output Characteristics



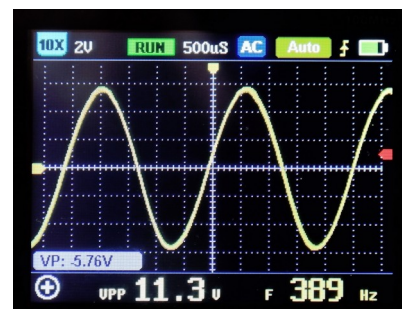
Gate Diode Splash Current



AC Amplifier



Real Tube



(Measured 4.3V RMS)

Zabb Csaba