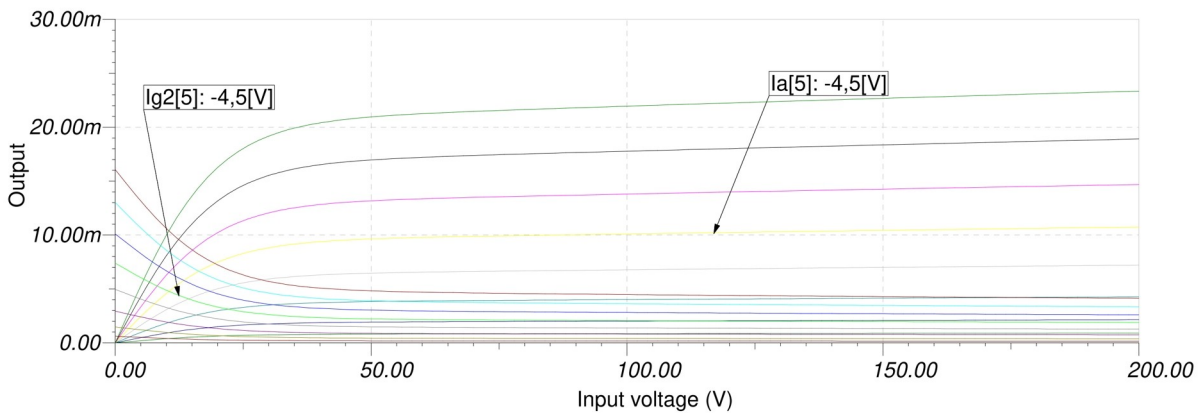
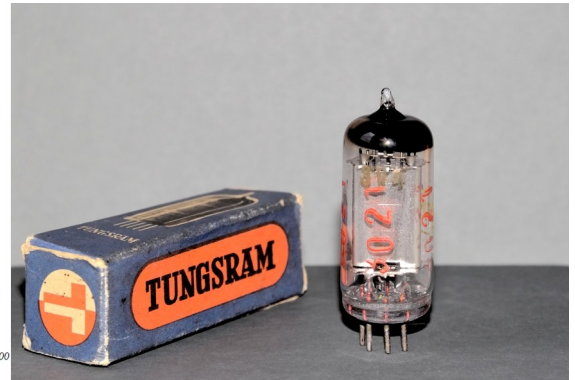
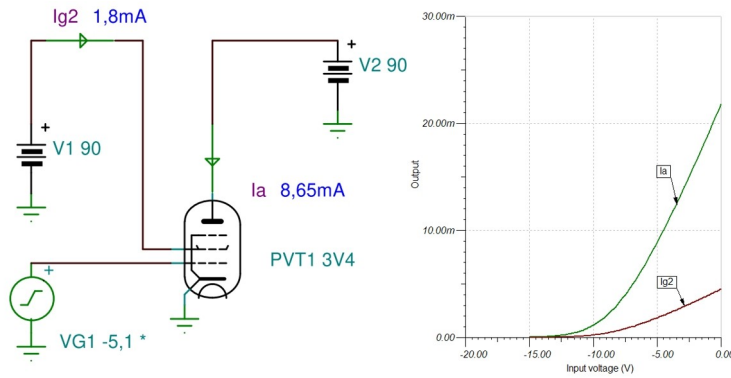
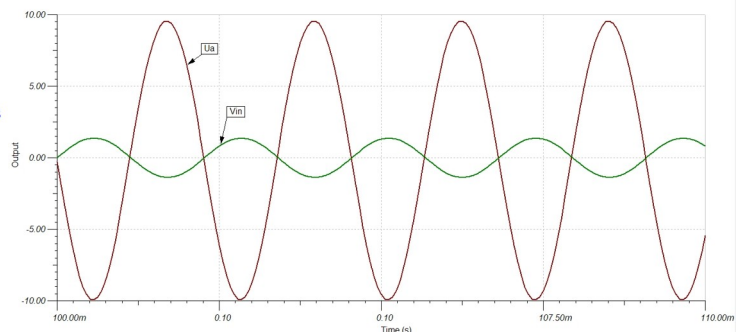
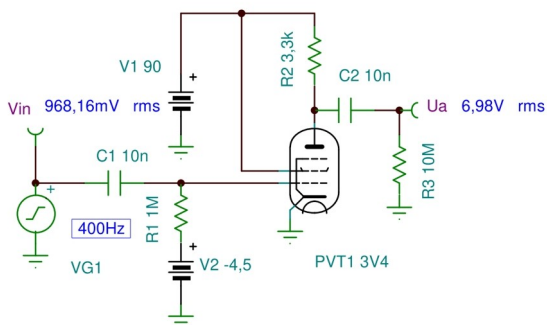
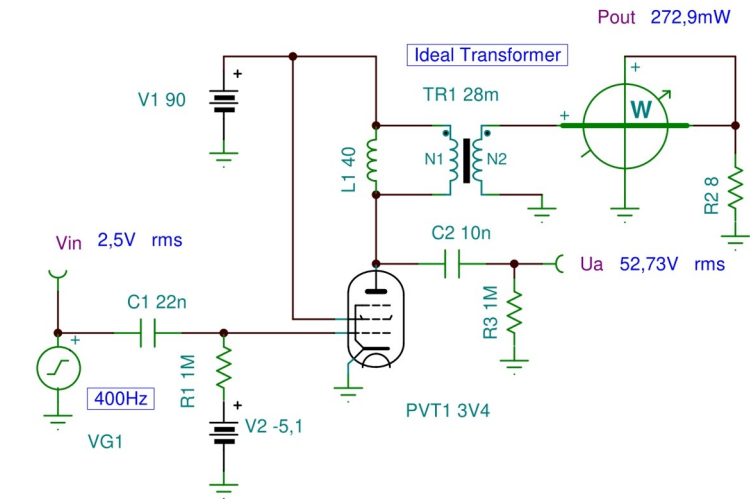


3V4 /DL94/ (Tungram, Hungary) Miniature Power Pentode Macro Model

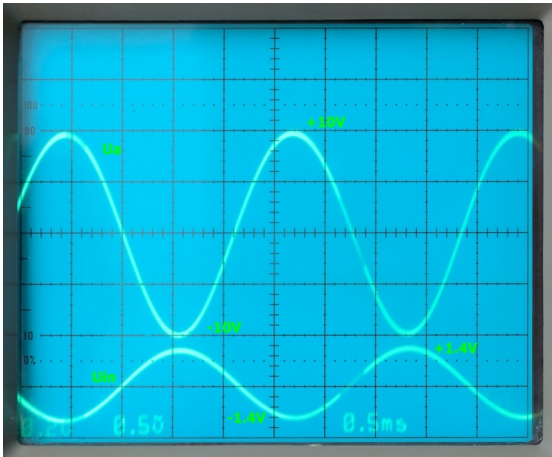
DC Characteristics



Operating Characteristics Class A

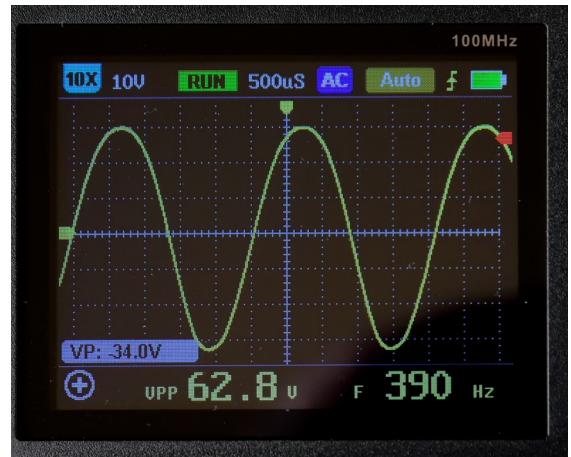
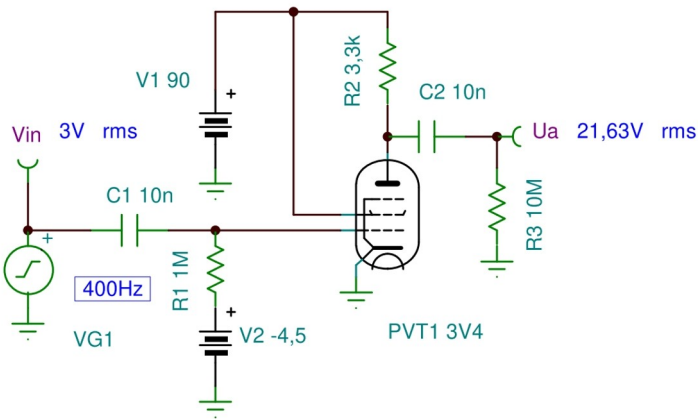


RC Amplifier (Real Tube)



Max. Signal

Real Tube (Max. Signal)



Class A Amplifier (Real Transformer)

