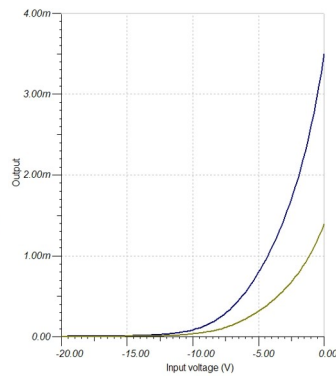
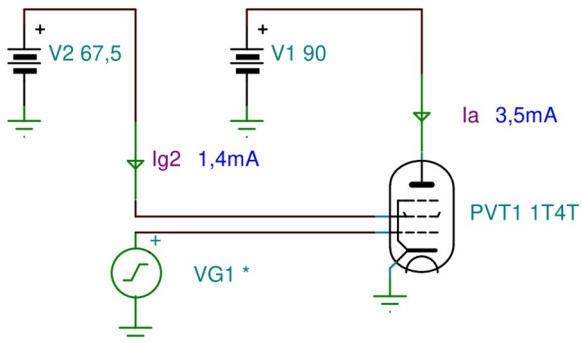
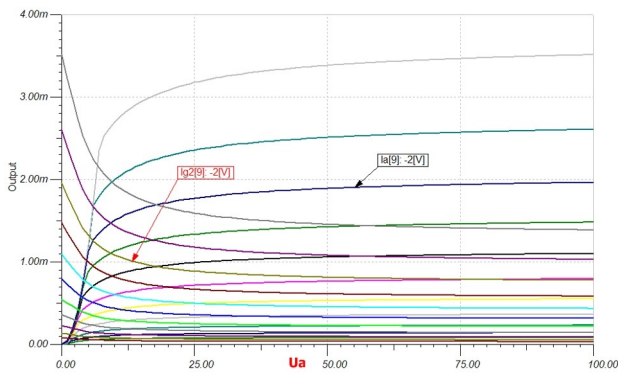


# 1T4T /Tungsram, Hungary/ Variable-mu Pentode Macro Model

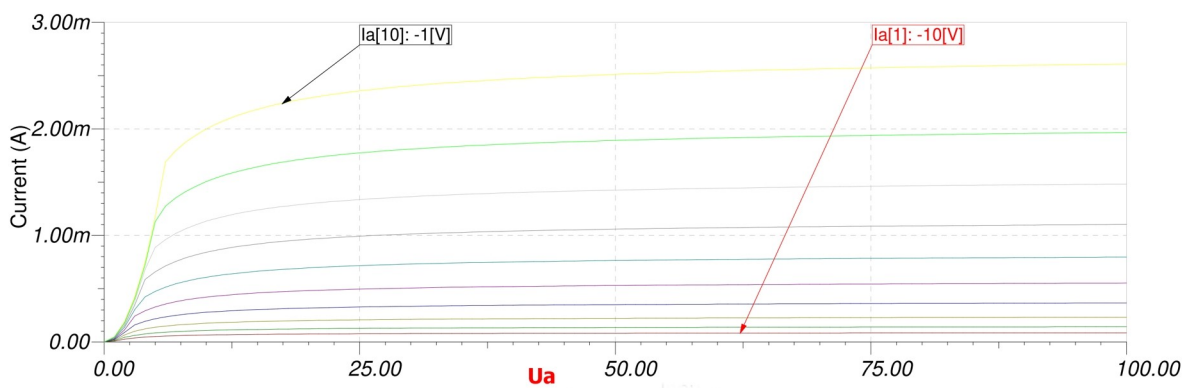
## DC Characteristics



## Output Characteristics



## Anode Characteristic Curves



This model is valid for the following tubes (within max. ratings):  
1T4, DF91, W17, 1K2

# AGC RF Voltage Amplifier

