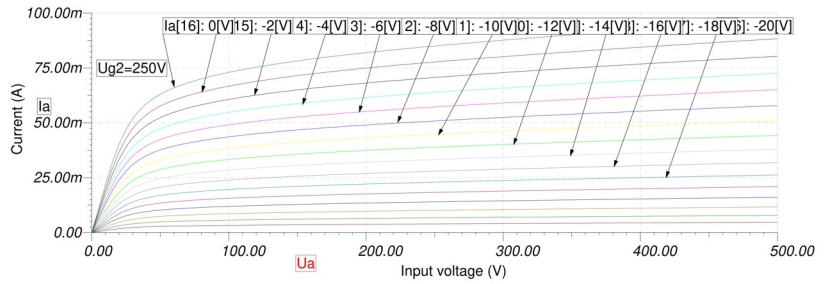
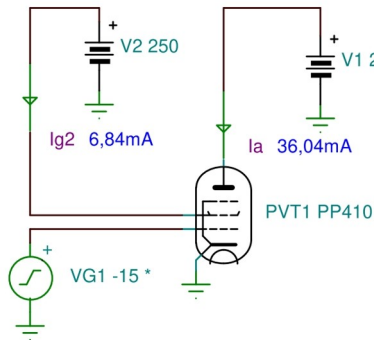
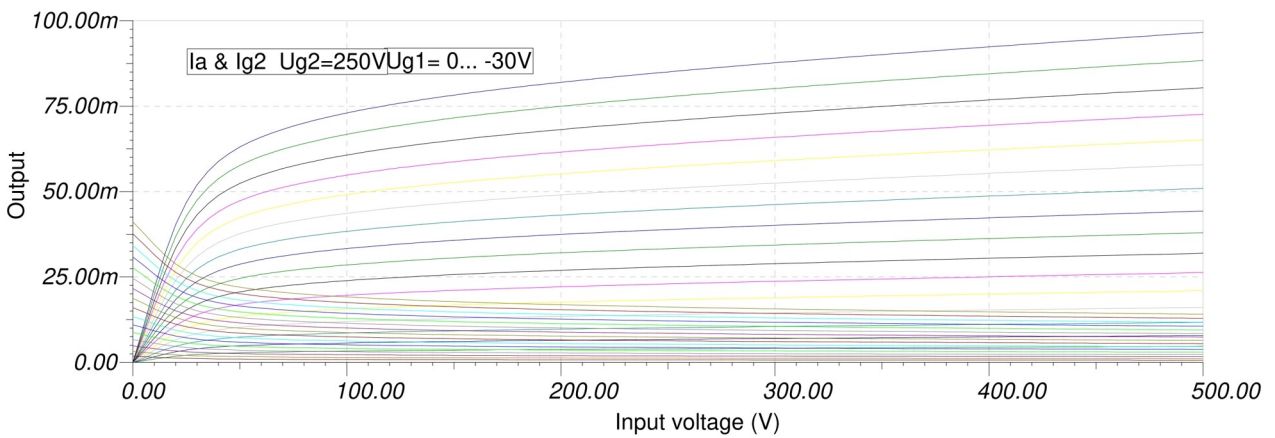


PP4101 (Tungram, Hungary 1932) Output Pentode Macro Model

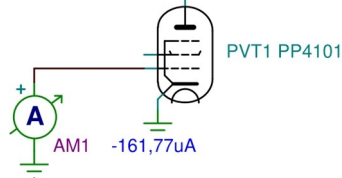
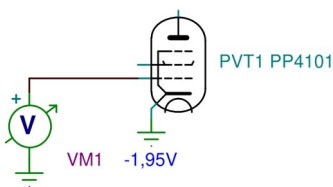
Pentode Output Characteristics:



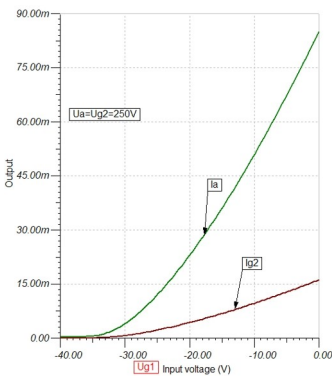
This model is valid for the following tubes (within max. ratings): E443H, RES964, AL1



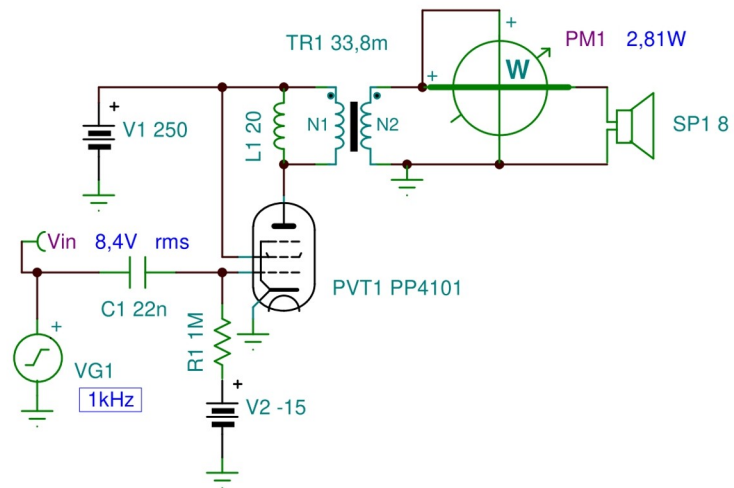
Pentode G1 Diode Splash Current:



DC Transfer Characteristics:



**Class A Audio Amplifier:
(Rload=7kΩ)**



**Base: Europe 5-Pin
Filament: Vf=4V If=1.1A**

