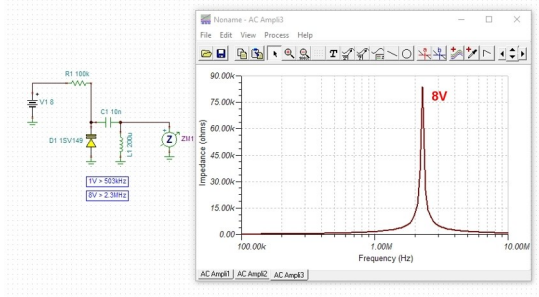
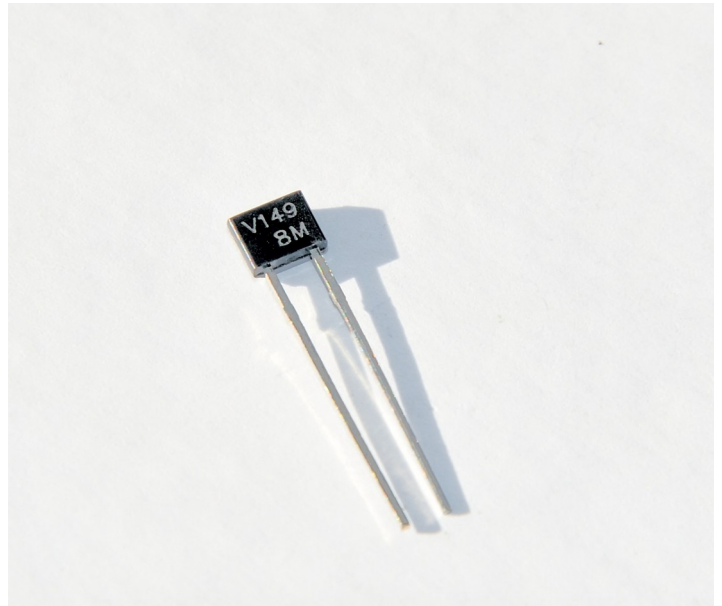
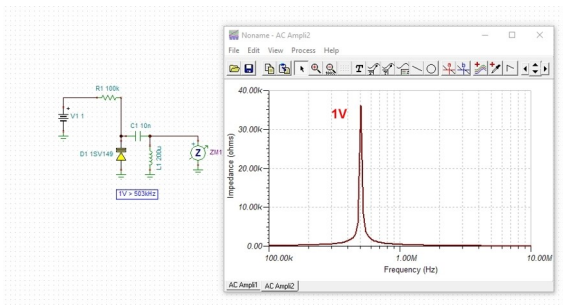
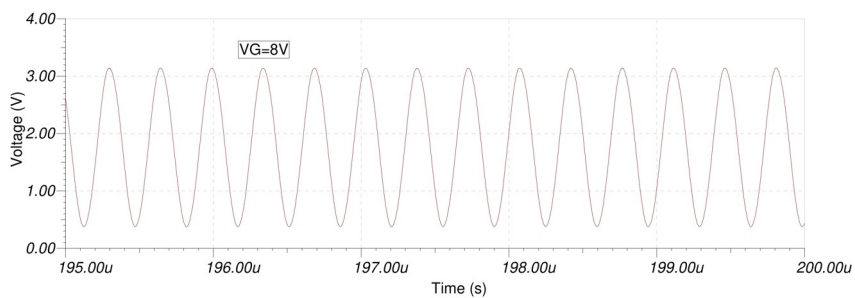
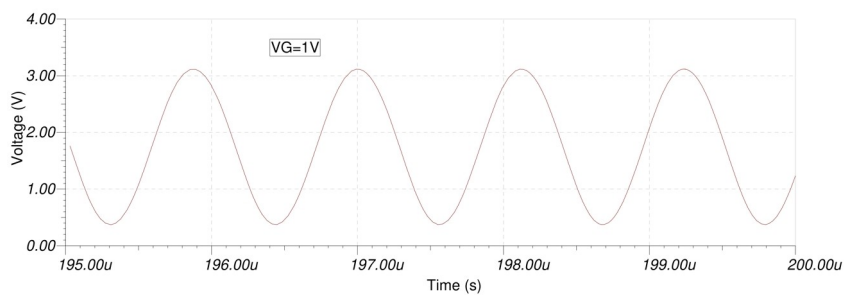
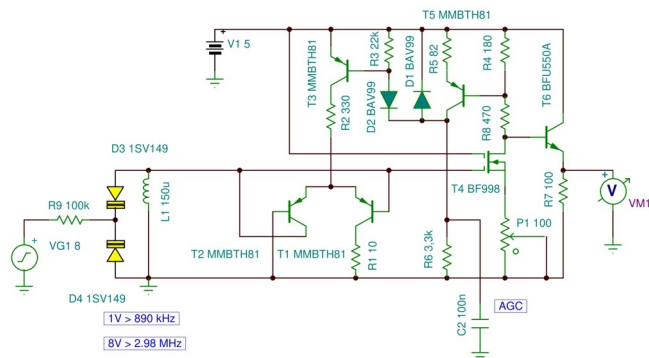


1SV149 Variable Capacitance Diode Macro Model

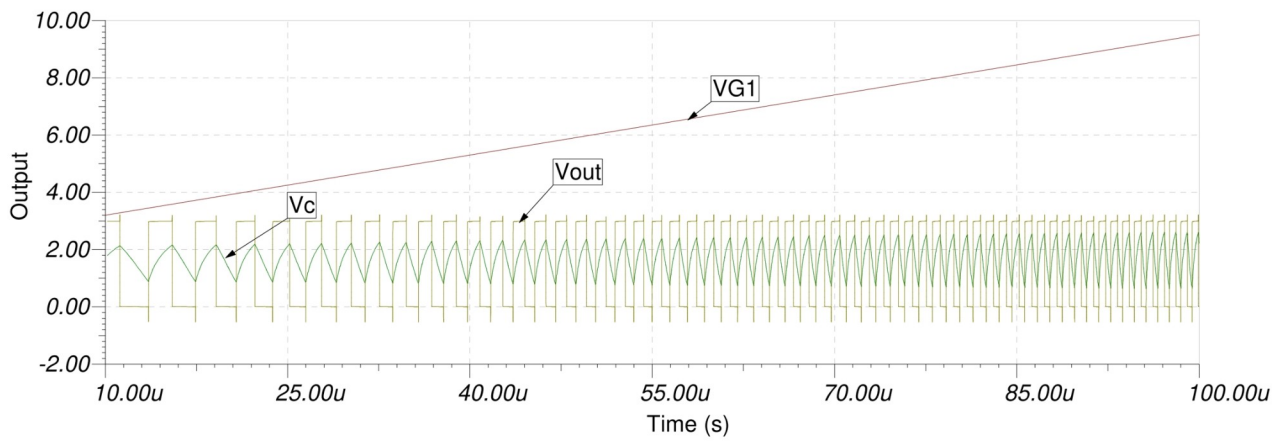
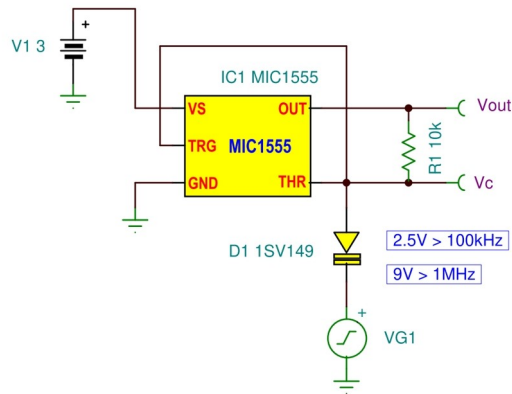
Electrical Characteristics



PNP VCO



555 VCO



HC14 VCO

