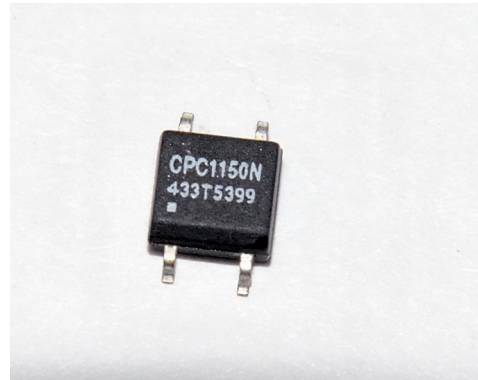
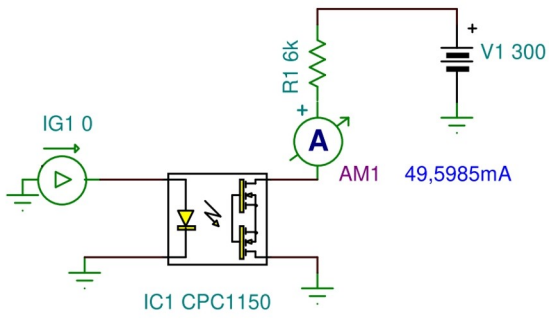
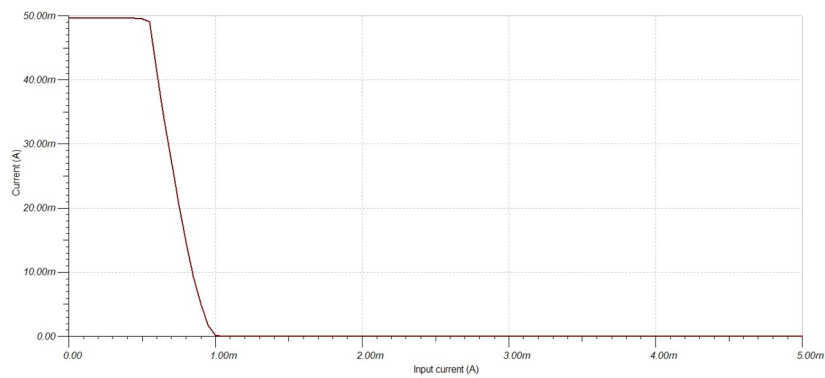


CPC1150N Single-Pole, Normally Closed OptoMOS[®] Relay Macro Model

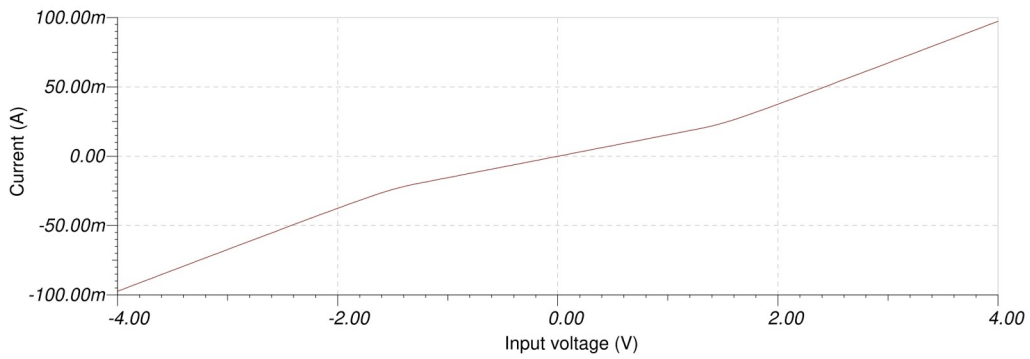
DC Characteristics



Coupled Electrical Characteristics



Output Characteristics



Switching Characteristics

