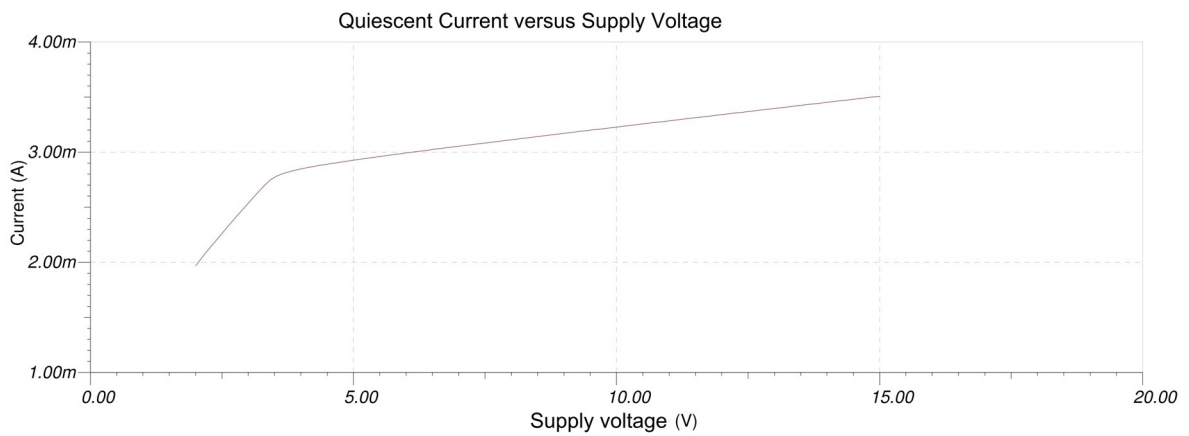
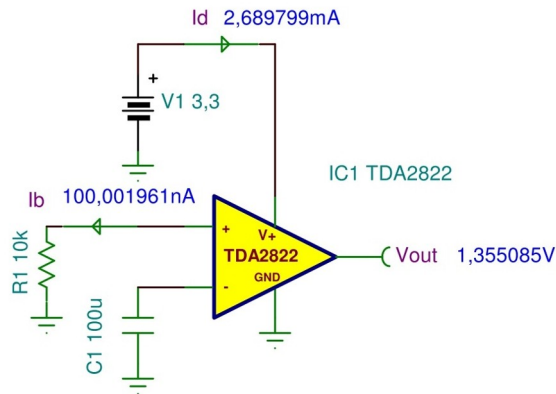
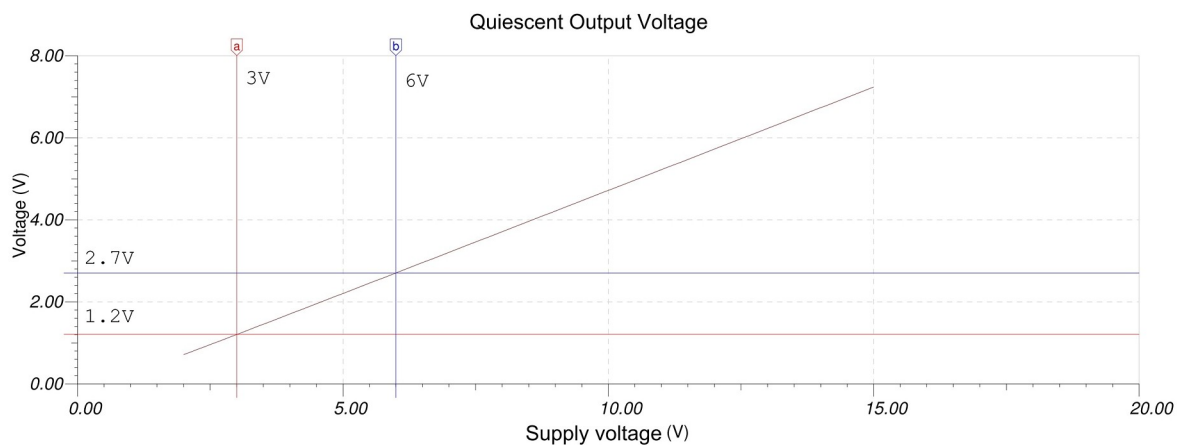


TDA2822 DUAL LOW-VOLTAGE POWER AMPLIFIER MACROMODEL

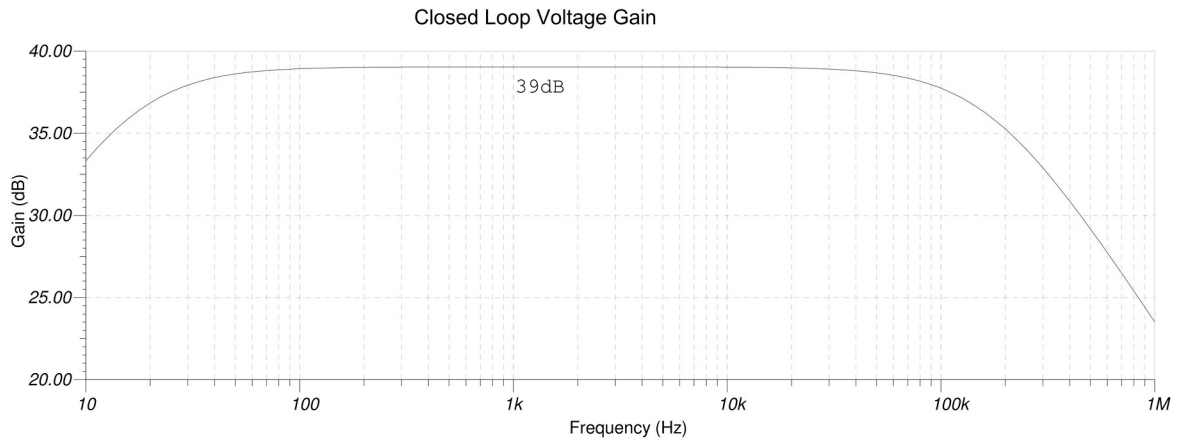
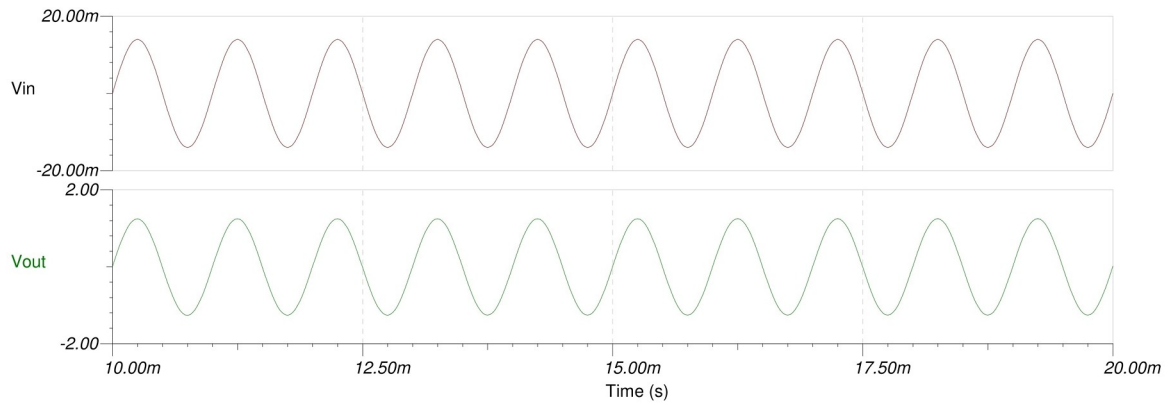
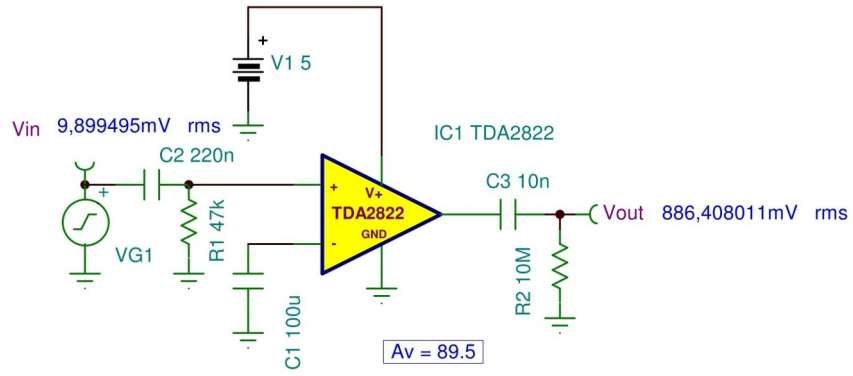
DC Characteristics



(Model is for single device only and simulated supply current is 1/2 of total device current.)



AC Characteristics



Test Circuit (Bridge)

