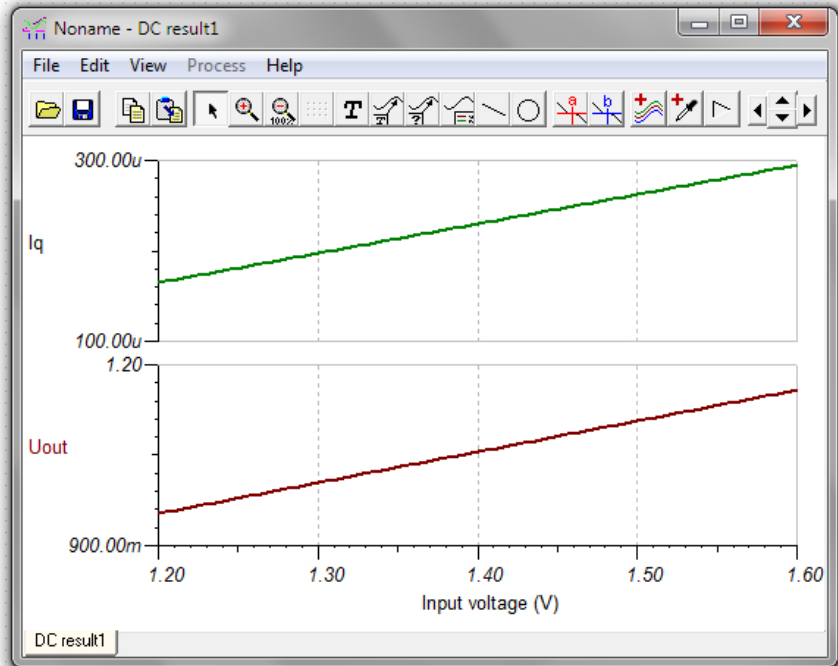
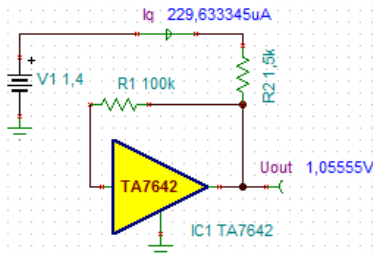
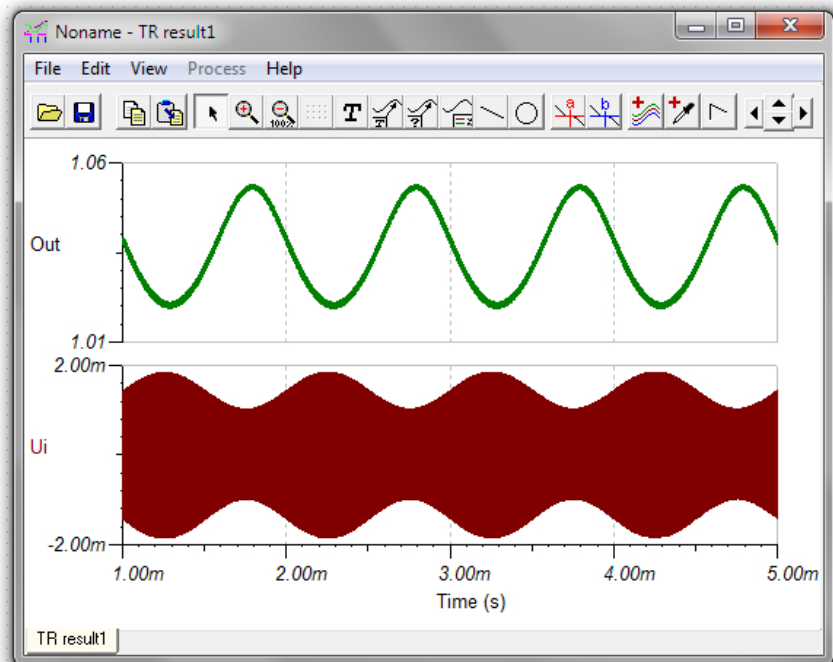
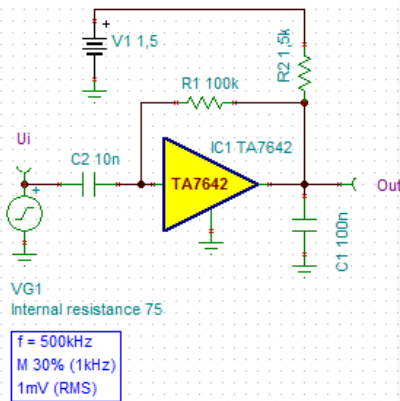


# TA7642 Macromodel

## DC Characteristics

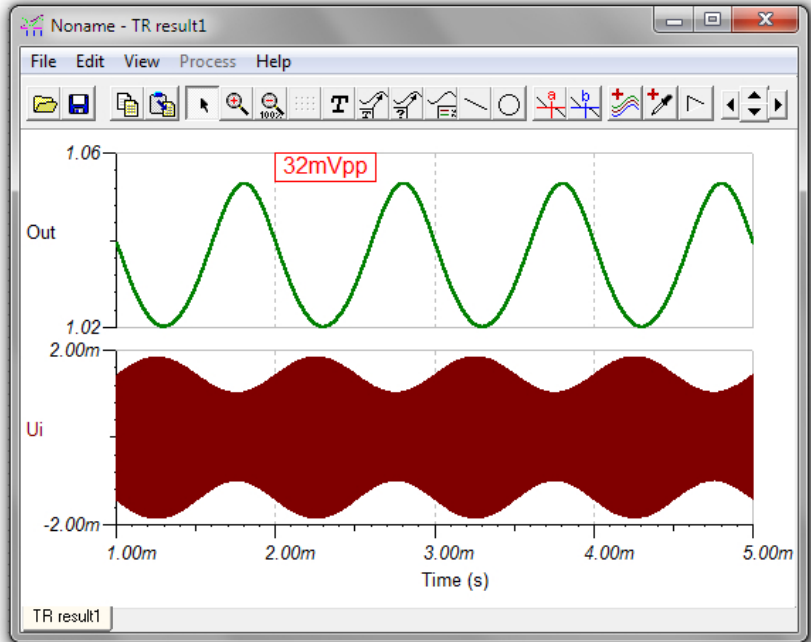
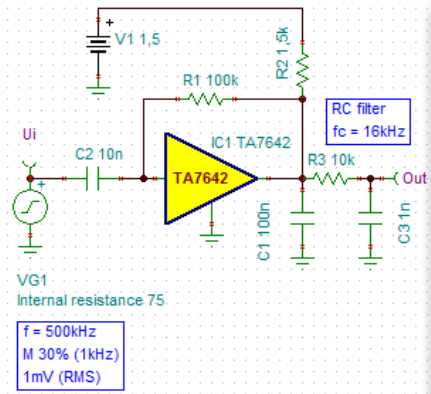


## AM Demodulator



Unfiltered output

# AM Demodulator



Filtered output